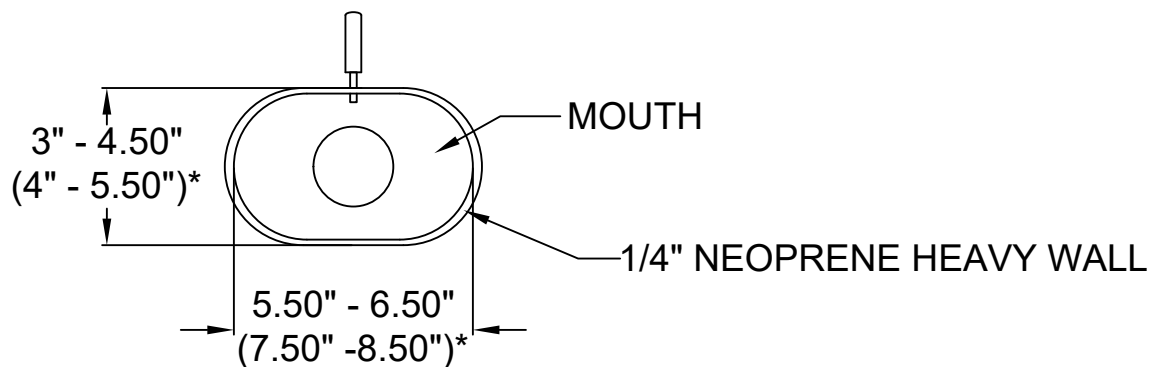
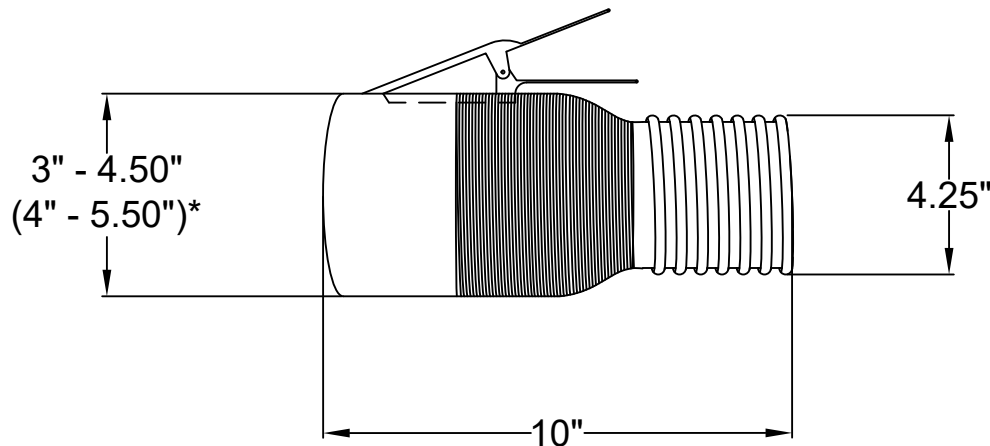


TECHNICAL INFORMATION

In the interest of continuing product improvement,
we reserve the right to change models,
specifications, and/or features without prejudice.

PROJECT: _____
LOCATION: _____
ARCHITECT: _____
ENGINEER: _____
CONTRACTOR: _____
DATE: _____ SALES ENGINEER: _____

23827 - SC - OVAL MOUTH CLAMPING ADAPTER
23828 - SC - LARGE OVAL MOUTH CLAMPING ADAPTER - SEE*



***LARGE MOUTH AVAILABLE, MODEL 23828-SC**

The Monoxivent oval mouth clamping tailpipe adapter is constructed of 600-degree neoprene rubber. The adapter is supplied with a spring tension clamping device. The spring clamp is attached to the adapter body, allowing for a positive and simple connection and for removal from the vehicle exhaust pipe. The oval mouth design allows the adapter to fit many side by side pipes as well as single exhaust pipes. The 23827-SC is an excellent all around adapter for automobiles, vans, and pick-up trucks. The mouth and body may be compressed, as shown by the dimensions above.

(Optional Spring Hinged Damper Available)