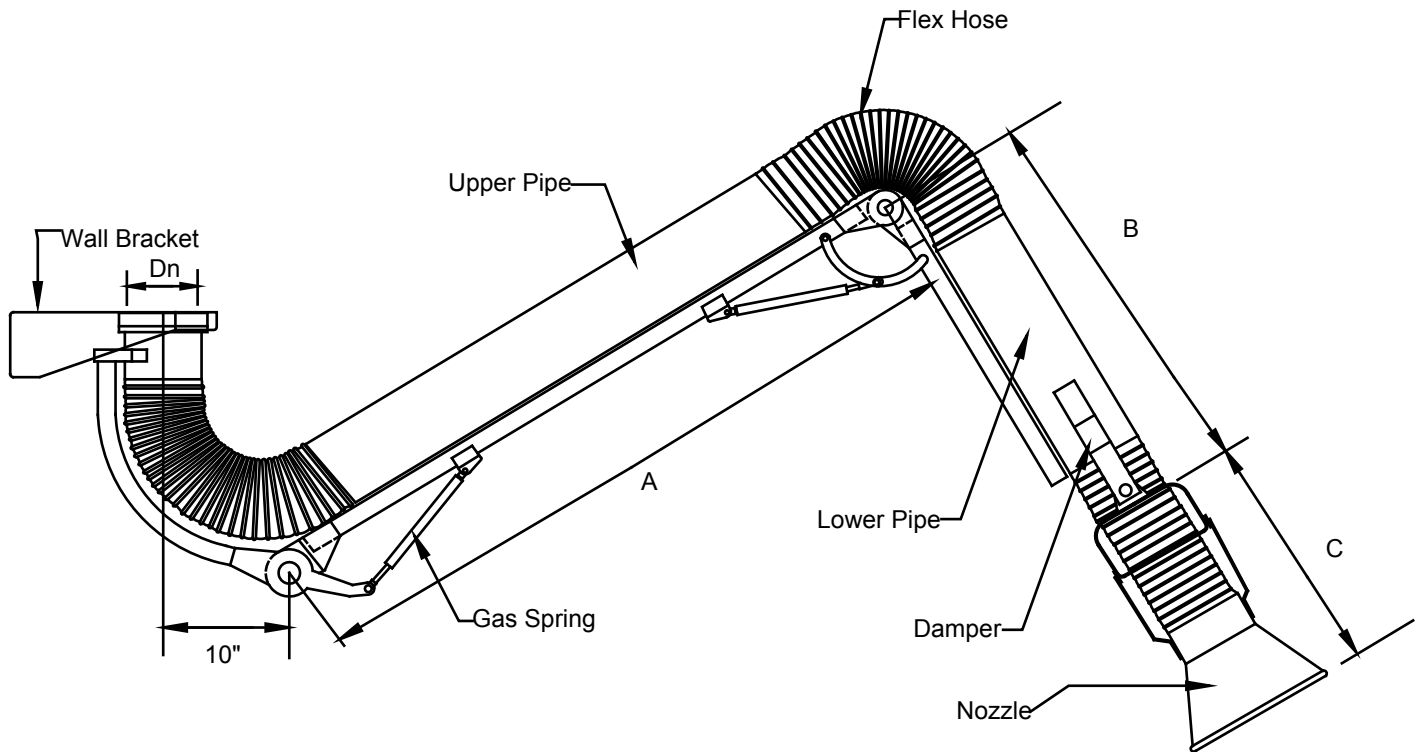


**TECHNICAL
INFORMATION**

In the interest of continuing product improvement,
we reserve the right to change models,
specifications, and/or features without prejudice.

PROJECT: _____
LOCATION: _____
ARCHITECT: _____
ENGINEER: _____
CONTRACTOR: _____
DATE: _____ SALES ENGINEER: _____

15000-TT, 10' Model Shown
Available 4", 5", 6" or 8"
Standard



Model	A	B	C	Dn	Description	Weights (lbs.)
15104-TT	60.1"	32.3"	20.2"	4"	10' x 4" Tube Type Arm	57
15105-TT	60.1"	32.3"	20.6"	5"	10' x 5" Tube Type Arm	60
15106-TT	60.1"	32.3"	21.0"	6"	10' x 6" Tube Type Arm	60
15108-TT	60.1"	32.3"	21.4"	8"	10' x 8" Tube Type Arm	65

*Optional hood mounted light kit available, consult factory for pricing

*Stainless Steel option available, consult factory for pricing

Contact factory for bench-top mount, other configurations