

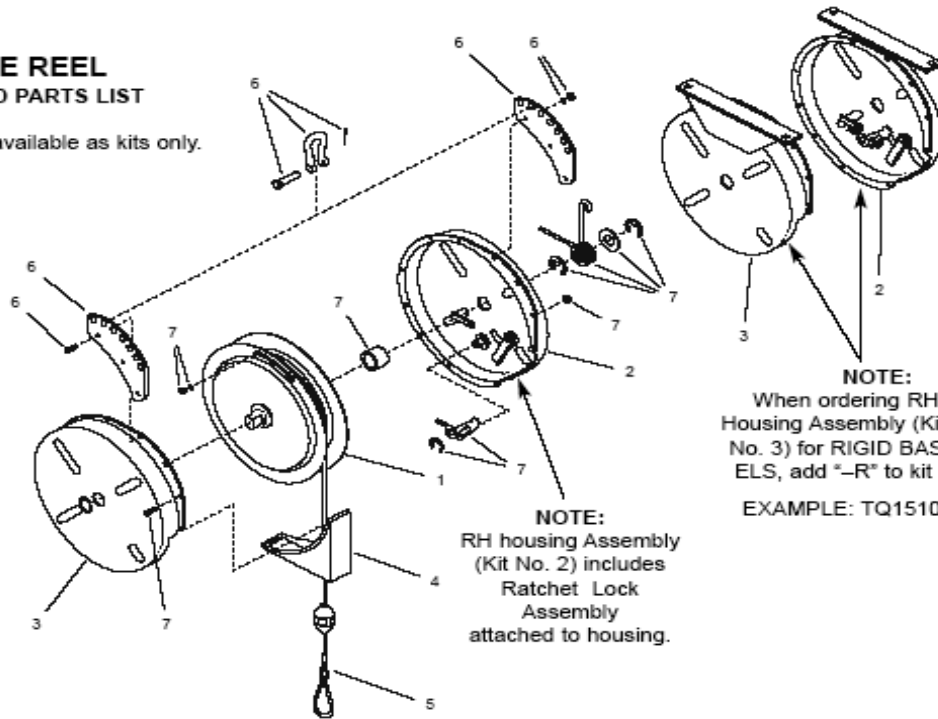
**TECHNICAL  
INFORMATION**

In the interest of continuing product improvement, we reserve the right to change models, specifications, and/or features without prejudice.

PROJECT: \_\_\_\_\_  
 LOCATION: \_\_\_\_\_  
 ARCHITECT: \_\_\_\_\_  
 ENGINEER: \_\_\_\_\_  
 CONTRACTOR: \_\_\_\_\_  
 DATE: \_\_\_\_\_ SALES ENGINEER: \_\_\_\_\_

**TORQUE REEL  
ILLUSTRATED PARTS LIST**

Replacement parts available as kits only.



**NOTE:**  
RH housing Assembly (Kit No. 2) includes Ratchet Lock Assembly attached to housing.

**NOTE:**  
When ordering RH or LH Housing Assembly (Kit No. 2 or No. 3) for RIGID BASE MODELS, add \*-R\* to kit number.

**EXAMPLE:** TQ1510-K02-R

**TORQUE REEL**

**REPLACEMENT PARTS KITS**

REF. NO.	KIT NUMBER			KIT DESCRIPTION
	Series-1507	Series-1510	Series-1515	
1	TQ1507-K01	TQ1510-K01	TQ1515-K01	SPRING MOTOR ASS'Y: Spring Motor, Spool, Shaft & Bushings in sealed canister.
2	TQ1507-K02*	TQ1510-K02*	TQ1515-K02*	RH HOUSING ASS'Y: RH Housing Half, Ratchet Lock Ass'y (attached to housing).
3	TQ1507-K03*	TQ1510-K03*	TQ1515-K03*	LH HOUSING ASS'Y: LH Housing Half, Nameplate.
4	TQ1507-K04	TQ1510-K04	TQ1515-K04	CABLE GUIDE
5	TQ1507-K05	TQ1510-K05	TQ1515-K05	CABLE ASS'Y: Cable, Safety Clip, Lockwasher-M4, Hex Nut-M4.
6	TQ1507-K06	TQ1510-K06	TQ1515-K06	HANGING BRACKET ASS'Y: Hanging Bracket, Clevis, Clevis Pin, Cotter Pin, Slotted Machine Screw M14 x 14mm (3), Lockwasher-M4 (3), Hex Nut-M4 (3)
7	TQ1507-K07	TQ1510-K07	TQ1515-K07	HARDWARE PACKAGE: Spacer, Torsion Spring, Slotted Machine Screw M4 x 14mm (3), Slotted Machine Screw M4 x 8mm (6), Lockwasher-M4 (10), Hex Nut-M4 (10), Retaining Ring (3), Shim, Extension Spring, Ratchet Lock Assembly