

**TECHNICAL  
INFORMATION**

In the interest of continuing product improvement,  
we reserve the right to change models,  
specifications, and/or features without prejudice.

PROJECT: \_\_\_\_\_  
 LOCATION: \_\_\_\_\_  
 ARCHITECT: \_\_\_\_\_  
 ENGINEER: \_\_\_\_\_  
 CONTRACTOR: \_\_\_\_\_  
 DATE: \_\_\_\_\_ SALES ENGINEER: \_\_\_\_\_

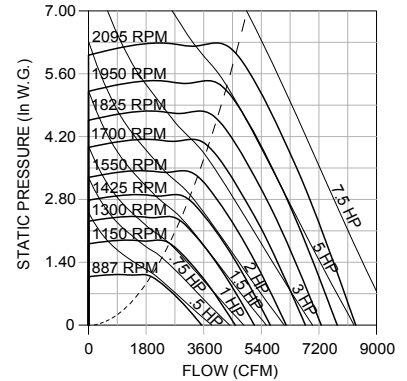
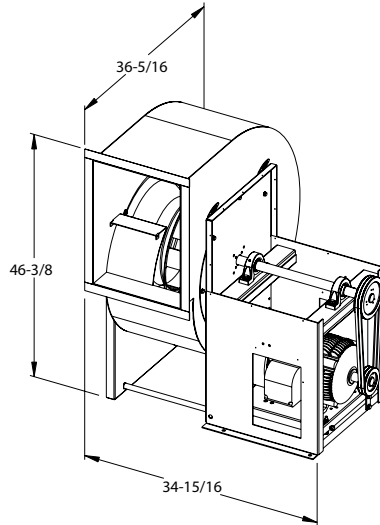
www.monoxivent.com

info@monoxivent.com

309-794-1000

Page: EF-21

- Wheel Diameter - 19.5"
- Wheel Type - Flatblade
- Tip Speed (FPM) = 5.11 x RPM
- Max. BHP = .64 x (RPM/1000)<sup>3</sup>
- Inlet Area - 2.31 Sq. Ft.
- Outlet Area - 2.21 Sq. Ft.
- Outlet Velocity (FPM) = CFM/2.21
- Max. Mtr. Frame Size - 215T, Arr. 10
- Approx. Ship Wt.
- BI-195 - 440 lbs.



Do not select to left of dotted curve.

CFM	OV	1.000 SP		1.250 SP		1.500 SP		1.750 SP		2.000 SP		2.500 SP		3.000 SP		3.500 SP		4.000 SP		4.500 SP		5.000 SP	
		RPM	BHP	RPM	BHP	RPM	BHP	RPM	BHP	RPM	BHP	RPM	BHP	RPM	BHP	RPM	BHP	RPM	BHP	RPM	BHP	RPM	BHP
2150	972	887	0.47	958	0.58																		
2500	1130	942	0.57	1006	0.69	1068	0.81	1129	0.95														
2850	1289	1003	0.68	1063	0.82	1120	0.95	1175	1.09	1229	1.24												
3200	1447	1067	0.82	1124	0.96	1178	1.11	1229	1.26	1279	1.41	1375	1.74										
3550	1605	1134	0.98	1188	1.13	1239	1.29	1288	1.45	1335	1.61	1426	1.96	1513	2.32	1599	2.70						
3900	1764	1204	1.16	1254	1.33	1303	1.50	1350	1.67	1395	1.84	1481	2.20	1563	2.58	1643	2.97	1721	3.38				
4250	1922	1277	1.38	1324	1.55	1370	1.73	1415	1.92	1458	2.10	1541	2.48	1619	2.88	1694	3.29	1767	3.71	1840	4.16	1911	4.61
4600	2080	1351	1.61	1396	1.80	1439	2.00	1481	2.19	1523	2.39	1603	2.79	1678	3.21	1750	3.64	1820	4.08	1888	4.53	1955	5.00
4950	2239	1428	1.88	1470	2.09	1510	2.29	1551	2.50	1590	2.71	1667	3.14	1740	3.58	1810	4.03	1876	4.48	1942	4.96	2005	5.44
5300	2397	1505	2.18	1545	2.40	1584	2.62	1622	2.84	1659	3.06	1732	3.51	1803	3.97	1871	4.45	1936	4.93	1999	5.42	2060	5.92
5650	2555	1584	2.52	1622	2.75	1658	2.98	1695	3.22	1731	3.45	1801	3.93	1868	4.41	1934	4.90	1997	5.41	2058	5.92		
6000	2713	1663	2.89	1699	3.13	1734	3.38	1769	3.63	1803	3.87	1870	4.37	1935	4.88	1999	5.40	2060	5.93				
6350	2872	1743	3.30	1778	3.56	1812	3.82	1845	4.08	1878	4.35	1942	4.87	2004	5.40	2065	5.94						
6700	3030	1824	3.75	1858	4.03	1890	4.30	1922	4.58	1953	4.85	2015	5.41	2074	5.96								
7050	3188	1906	4.24	1938	4.54	1969	4.83	2000	5.12	2030	5.41	2089	5.99										
7400	3347	1988	4.78	2019	5.09	2049	5.40	2078	5.70														
7750	3505	2071	5.37																				