



Hose Storage Rack
Series - HR

TECHNICAL INFORMATION

In the interest of continuing product improvement,
we reserve the right to change models,
specifications, and/or features without prejudice.

PROJECT: _____
 LOCATION: _____
 ARCHITECT: _____
 ENGINEER: _____
 CONTRACTOR: _____
 DATE: _____ SALES ENGINEER: _____

www.monoxivent.com

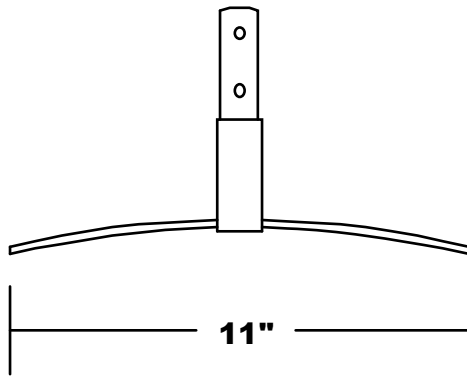
info@monoxivent.com

309-794-1000

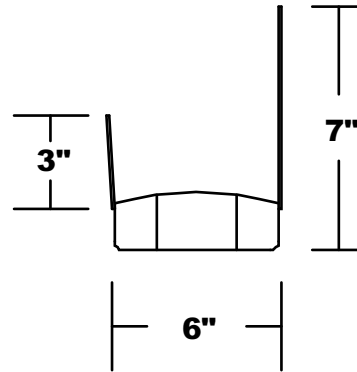
Page: AC-24

HOSE STORAGE RACK

Front View



Side View



ACCESSORIES

The Series HR Hose Storage Rack is designed for wall or column mounting. The mounting height is based on the amount of hose length to be stored. The hose rack is secured to the wall/column and hose is simply laid across the curved support plate. The hose rack is constructed of 12GA steel and is reinforced for strength and longevity. The hose rack is supplied with pre-drilled mounting holes for easy installation.