

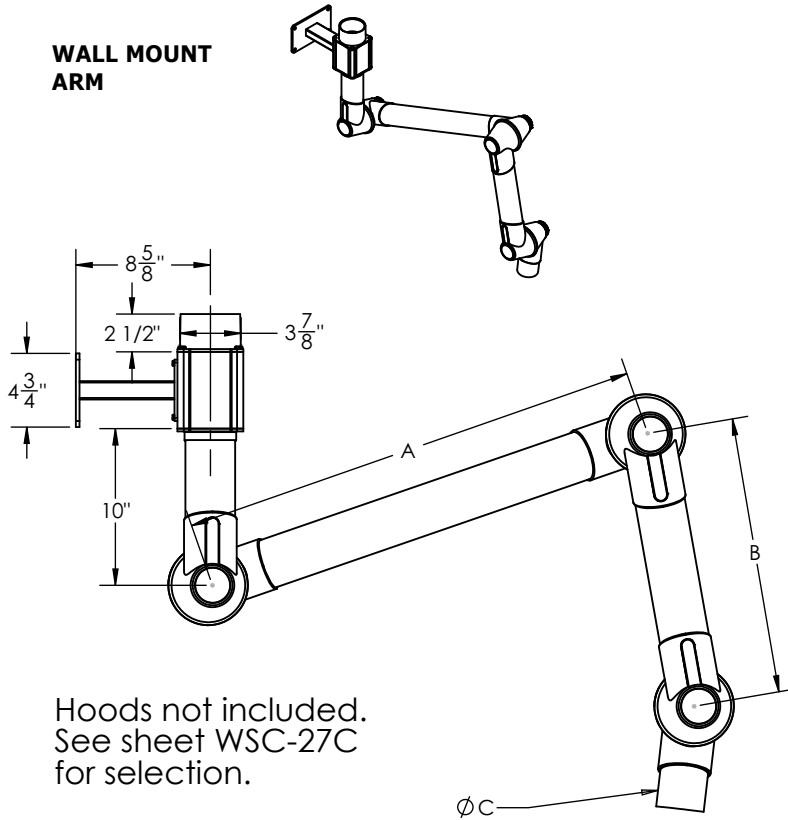
**TECHNICAL
INFORMATION**

In the interest of continuing product improvement, we reserve the right to change models, specifications, and/or features without prejudice.

PROJECT: _____
 LOCATION: _____
 ARCHITECT: _____
 ENGINEER: _____
 CONTRACTOR: _____
 DATE: _____ SALES ENGINEER: _____

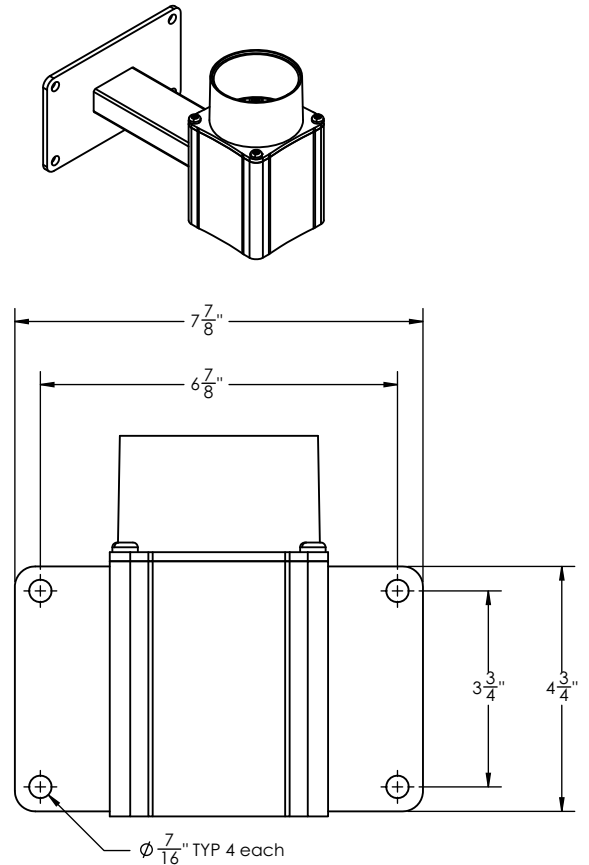
**MONOXIVENT
MNX Mini/Lab Arm, Wall Mounting (wall bracket included)**

**WALL MOUNT
ARM**



Hoods not included.
See sheet WSC-27C
for selection.

WALL BRACKET



Model #	A	B	C	Max. Radius
MNX-1000-50-W	16"	12"	2"	40"
MNX-1300-50-W	22"	18"	2"	51"
MNX-1500-50-W	30"	18"	2"	60"
MNX-1000-75-W	16"	12"	3"	40"
MNX-1300-75-W	22"	18"	3"	51"
MNX-1500-75-W	30"	18"	3"	60"
MNX-2000-75-W	40"	26"	3"	80"
MNX-1150-100-W	18"	14"	4"	46"
MNX-1350-100-W	22"	18"	4"	54"
MNX-1650-100-W	30"	22"	4"	66"
MNX-1900-100-W	40"	22"	4"	76"
MNX-2100-100-W	40"	30"	4"	84"
MNX-2650-100-W	52"	40"	4"	106"

* Also available as 2-joint arm, consult factory.