



360-degree Swivel Series
(Part Number: SCF)

TECHNICAL INFORMATION

In the interest of continuing product improvement,
we reserve the right to change models,
specifications, and/or features without prejudice.

PROJECT: _____
 LOCATION: _____
 ARCHITECT: _____
 ENGINEER: _____
 CONTRACTOR: _____
 DATE: _____ SALES ENGINEER: _____

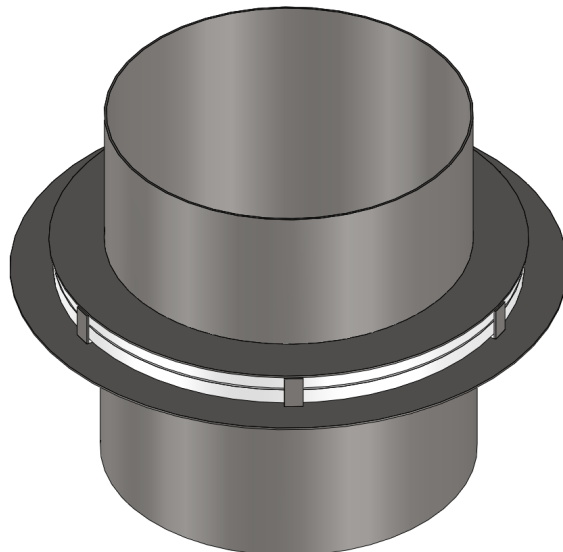
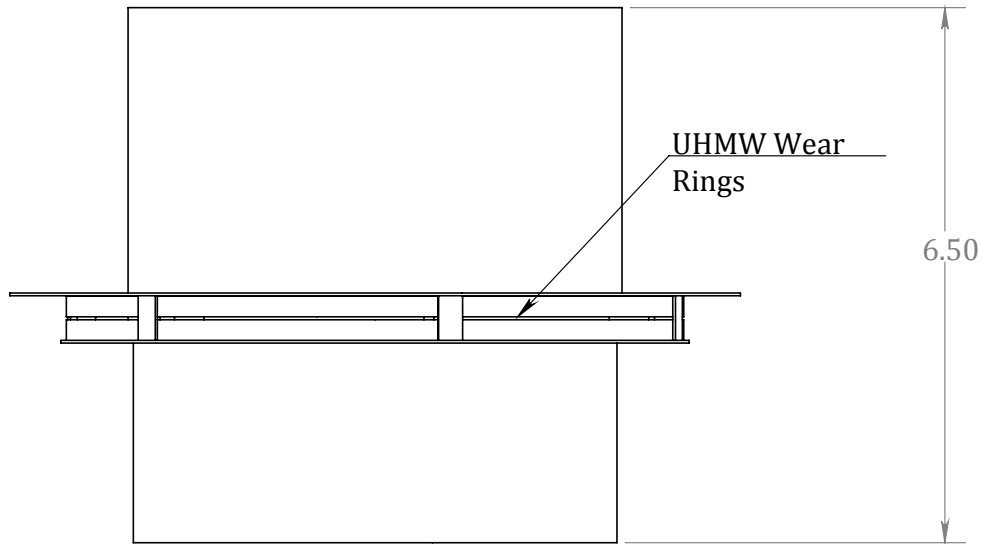
www.monoxivent.com

info@monoxivent.com

309-794-1000

Page: AC-19

SWIVEL CONNECTION FITTING



<u>Model #:</u>	<u>Size</u>
SCF - 4	4"
SCF - 5	5"
SCF - 6	6"
SCF - 8	8"
SCF - 10	10"
SCF - 12	12"

CONSTRUCTION: 304 Stainless Steel