



Direct Drive Fans
Series DMHR

TECHNICAL INFORMATION

In the interest of continuing product improvement, we reserve the right to change models, specifications, and/or features without prejudice.

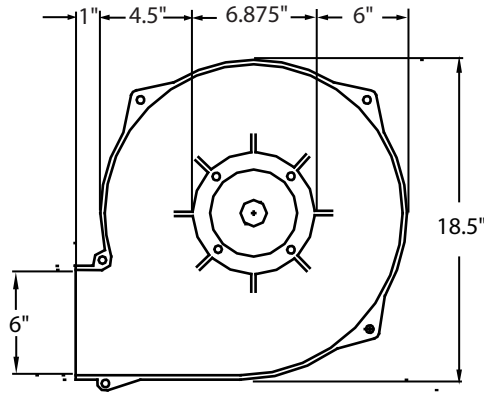
PROJECT: _____
 LOCATION: _____
 ARCHITECT: _____
 ENGINEER: _____
 CONTRACTOR: _____
 DATE: _____ SALES ENGINEER: _____

www.monoxivent.com

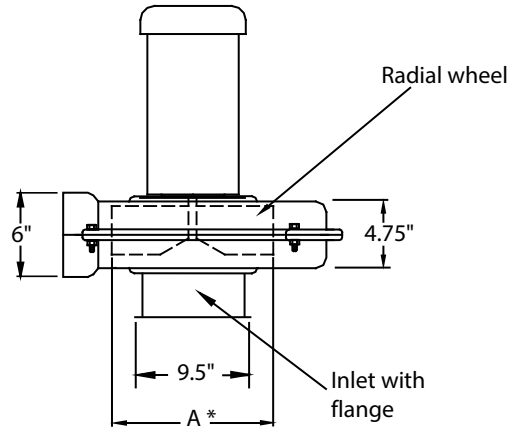
info@monoxivent.com

309-794-1000

Page: HRSO-9



Top View



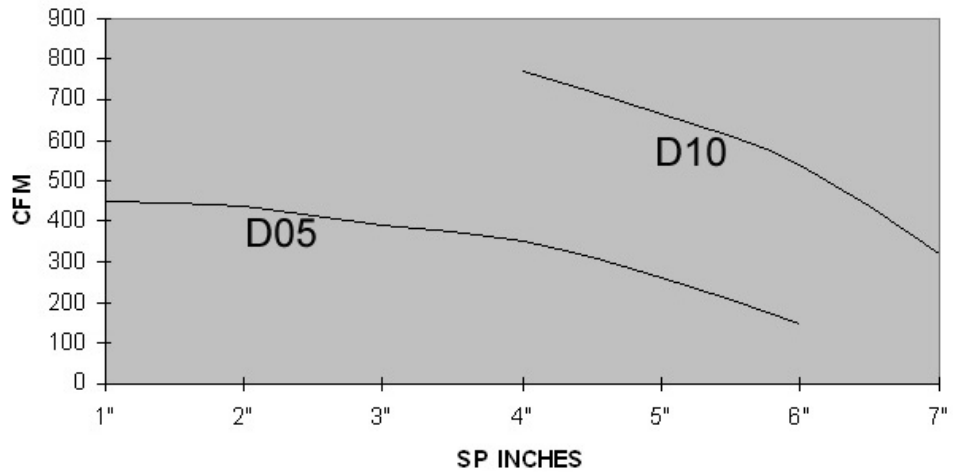
Side View

* A = 10.625" with 1/2 HP Motor
 * A = 11.75" with 1 HP, 1 1/2 HP, 2 HP, 3 HP Motor

**Performance charts for
 D05 (0.5 HP), D10 (1 HP),
 D15 (1.5 HP), D20 (2 HP),
 D30 (3 HP)**

**1 Phase:
 115/208/230 volt**

**3 Phase:
 208/230/460/575 volt**



Standard Motors are Baldor with TEFC Enclosure. Standard Motors are UL UR Recognized as a component and CSA Certified in Canada.

The D Series fans are not UL Listed or CSA Certified as an assembly.

Motor specifications subject to change without notice.

The construction is Silumin (Silicon Aluminum Alloy) for the housing and the wheel.

DMHR Available, upon request, for D30, D20, D15

