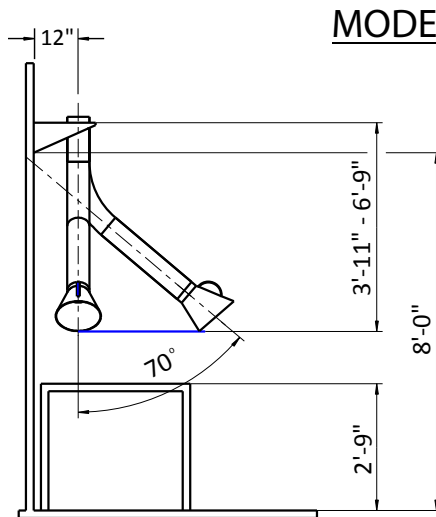


TECHNICAL INFORMATION

In the interest of continuing product improvement,
we reserve the right to change models,
specifications, and/or features without prejudice.

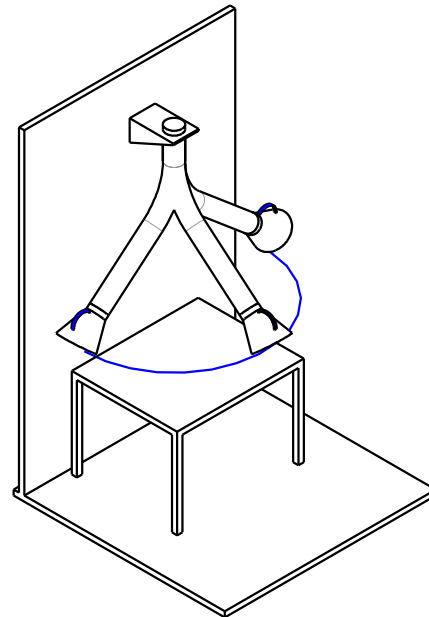
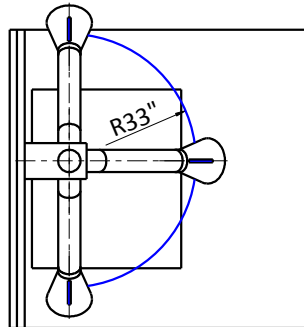
PROJECT: _____
LOCATION: _____
ARCHITECT: _____
ENGINEER: _____
CONTRACTOR: _____
DATE: _____ SALES ENGINEER: _____



MODEL 15320

Arm Available in: 4", 6" & 8"

*4" Model supplied with external support



The retractable telescopic arm is a unique system that allows the user to position the hood directly at the source. The arm is used for work tables that are located directly up against a wall or column. This is the style arm that is ideal for vocational-type schools, where small booths are set-up along walls.

The 6" and 8" telescopic arms have an internal three-piece aluminum tube to allow for the telescopic movement. While the 4" arm has an external three-piece aluminum tube. The arms also offer movement, from left to right and towards the front. The hood will also pivot separately of the arm. The arm rotates 360-degrees at swivel joint.

The telescopic arm is available for several types of installations. The arm can be supplied to have its own direct mount fan or it can be connected to a central duct system or filter unit.

A. The mounting height of the arm can be determined to fit your needs depending on the work table height. A suggested height is from 8' to 9'. This is only a suggestion and starting point as a reference and guideline.

** Note: The telescopic arm can be supplied for wall/column mounting, vertical duct mount, or the arm can be mounted to the end of the PAC, SB, and BA Boom Assemblies.*