

**TECHNICAL
INFORMATION**

In the interest of continuing product improvement,
we reserve the right to change models,
specifications, and/or features without prejudice.

PROJECT: _____
 LOCATION: _____
 ARCHITECT: _____
 ENGINEER: _____
 CONTRACTOR: _____
 DATE: _____ SALES ENGINEER: _____



Ceiling Bracket MNX-CMB

Description: Anodized Aluminum Ceiling Bracket for Mini Arm

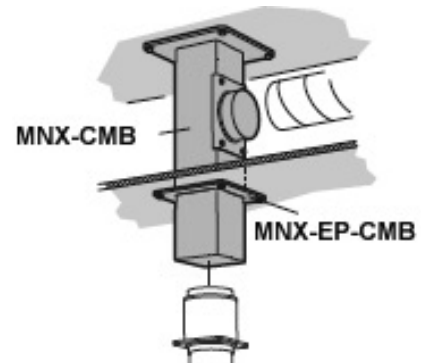
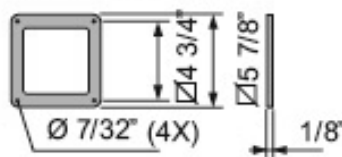
2" & 3" Mounting Brackets

Model	Length Inches	Weight lbs.
MNX-250-CMB	10"	6.9
MNX-500-CMB	20"	8.4
MNX-750-CMB	30"	9.9
MNX-1000-CMB	40"	11.4
MNX-1500-CMB	60"	12.9

4" Mounting Brackets

Model	Length Inches	Weight lbs.
MNX-500-125-CMB	20"	10.8
MNX-750-125-CMB	30"	12.8
MNX-1000-125-CMB	40"	14.8
MNX-1250-125-CMB	50"	16.8
MNX-1500-125-CMB	60"	18.8
MNX-1750-125-CMB	70"	20.8
MNX-2000-125-CMB	80"	22.8

MNX-EP-CMB



Escutcheon plate MNX-EP-CMB

Designation for 2 and 3 inch model	Weight oz
MNX-EP-CMB	1.75
Designation for 4 inch model	Weight oz
MNX-EP-CMB-4	4.4

Escutcheon plate, used together with ceiling mount MTI for stabilizing and to cover holes in the finished ceiling. Made completely from Polypropylene