

**TECHNICAL  
INFORMATION**

In the interest of continuing product improvement,  
we reserve the right to change models,  
specifications, and/or features without prejudice.

PROJECT: \_\_\_\_\_  
 LOCATION: \_\_\_\_\_  
 ARCHITECT: \_\_\_\_\_  
 ENGINEER: \_\_\_\_\_  
 CONTRACTOR: \_\_\_\_\_  
 DATE: \_\_\_\_\_ SALES ENGINEER: \_\_\_\_\_

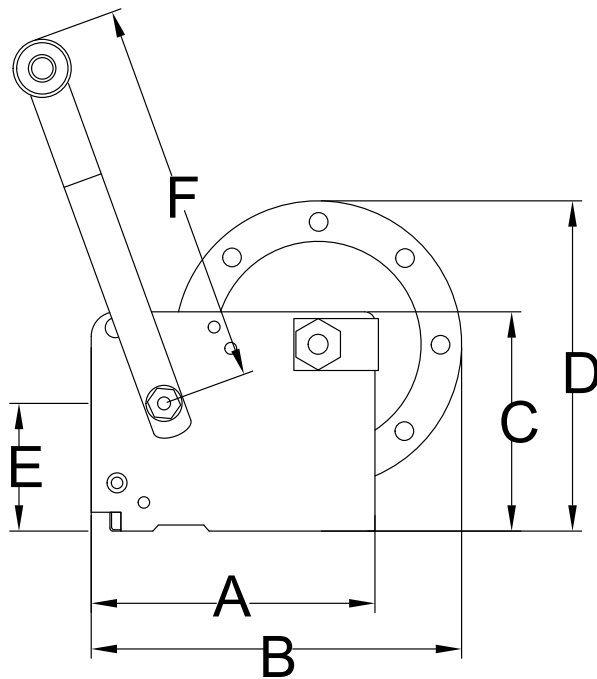
**Series 23860-01**

**PU-KIT-W**

\* The winch handle (at right) may be replaced with a rubber wheel.

Recommended Maintenance:

1. Apply a few drops of automotive engine oil to ratchet pawl pivot, brushings, and shaft threads under drum.
2. Check for proper ratchet operation as follows: when cranking cable in, a loud clicking sound should be heard, when cranking cable out, the clicking sound should not be heard and the ratchet pawl should be fully engaged into the ratchet gear teeth.



A	B	C	D	E	F
5.50"	5.50"	4.25"	5.56"	2.94"	11.00"

\*Includes 75' of cable

OVERHEAD  
EXHAUST SYSTEMS