

TECHNICAL INFORMATION

In the interest of continuing product improvement,
we reserve the right to change models,
specifications, and/or features without prejudice.

PROJECT: _____
LOCATION: _____
ARCHITECT: _____
ENGINEER: _____
CONTRACTOR: _____
DATE: _____ SALES ENGINEER: _____

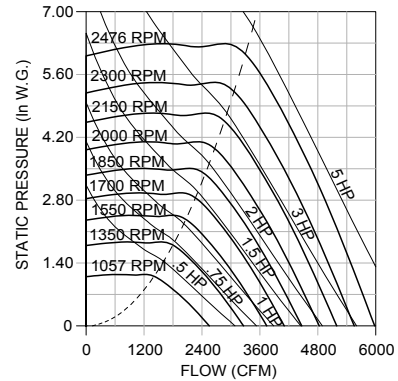
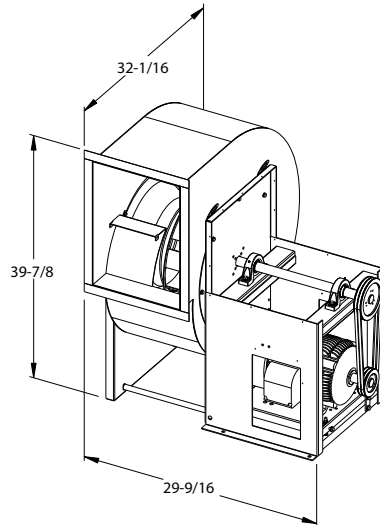
www.monoxivent.com

info@monoxivent.com

309-794-1000

Page: EF-19

Wheel Diameter - 16.5"
Wheel Type - Flatblade
Tip Speed (FPM) = 4.32 x RPM
Max. BHP = .33 x (RPM/1000)³
Inlet Area - 1.67 Sq. Ft.
Outlet Area - 1.58 Sq. Ft.
Outlet Velocity (FPM) = CFM/1.58
Max. Mtr. Frame Size - 184T, Arr. 10
Approx. Ship Wt.
BI-165 - 334 lbs.



CFM	OV	1.000 SP		1.250 SP		1.500 SP		1.750 SP		2.000 SP		2.500 SP		3.000 SP		3.500 SP		4.000 SP		4.500 SP		5.000 SP	
		RPM	BHP	RPM	BHP	RPM	BHP	RPM	BHP	RPM	BHP	RPM	BHP	RPM	BHP	RPM	BHP	RPM	BHP	RPM	BHP	RPM	BHP
1575	994	1057	0.35	1140	0.43																		
1825	1152	1124	0.42	1198	0.50	1270	0.60	1341	0.69														
2075	1310	1196	0.50	1266	0.60	1332	0.69	1397	0.80	1459	0.90												
2325	1468	1272	0.60	1338	0.70	1401	0.81	1462	0.92	1520	1.03	1633	1.26										
2575	1626	1351	0.72	1414	0.83	1474	0.94	1532	1.06	1587	1.18	1693	1.42	1795	1.68	1895	1.95						
2825	1783	1434	0.85	1493	0.97	1550	1.09	1605	1.22	1658	1.34	1760	1.60	1856	1.87	1949	2.16	2041	2.45				
3075	1941	1520	1.01	1575	1.13	1629	1.26	1682	1.40	1733	1.53	1830	1.80	1922	2.09	2010	2.38	2097	2.69	2181	3.01	2265	3.34
3325	2099	1608	1.18	1660	1.31	1711	1.45	1761	1.59	1810	1.74	1903	2.03	1992	2.33	2077	2.64	2159	2.95	2239	3.28	2318	3.62
3575	2257	1698	1.37	1748	1.52	1795	1.67	1843	1.82	1889	1.97	1979	2.28	2065	2.59	2147	2.91	2226	3.25	2303	3.59	2378	3.94
3825	2415	1790	1.59	1837	1.75	1882	1.90	1927	2.06	1971	2.22	2057	2.55	2140	2.88	2220	3.22	2296	3.56	2370	3.92	2442	4.28
4075	2573	1882	1.83	1927	2.00	1971	2.17	2013	2.33	2055	2.50	2138	2.85	2217	3.19	2294	3.55	2369	3.91	2441	4.28		
4325	2731	1977	2.10	2019	2.28	2060	2.45	2101	2.63	2141	2.81	2220	3.17	2296	3.54	2371	3.91	2443	4.29				
4575	2888	2071	2.40	2112	2.59	2152	2.78	2191	2.96	2229	3.15	2304	3.53	2378	3.91	2450	4.30						
4825	3046	2167	2.72	2206	2.92	2244	3.12	2282	3.32	2319	3.52	2391	3.92	2461	4.31								
5075	3204	2263	3.08	2301	3.29	2337	3.50	2373	3.71	2409	3.92												
5325	3362	2360	3.47	2396	3.69	2432	3.91	2466	4.13														
5575	3520	2458	3.89																				