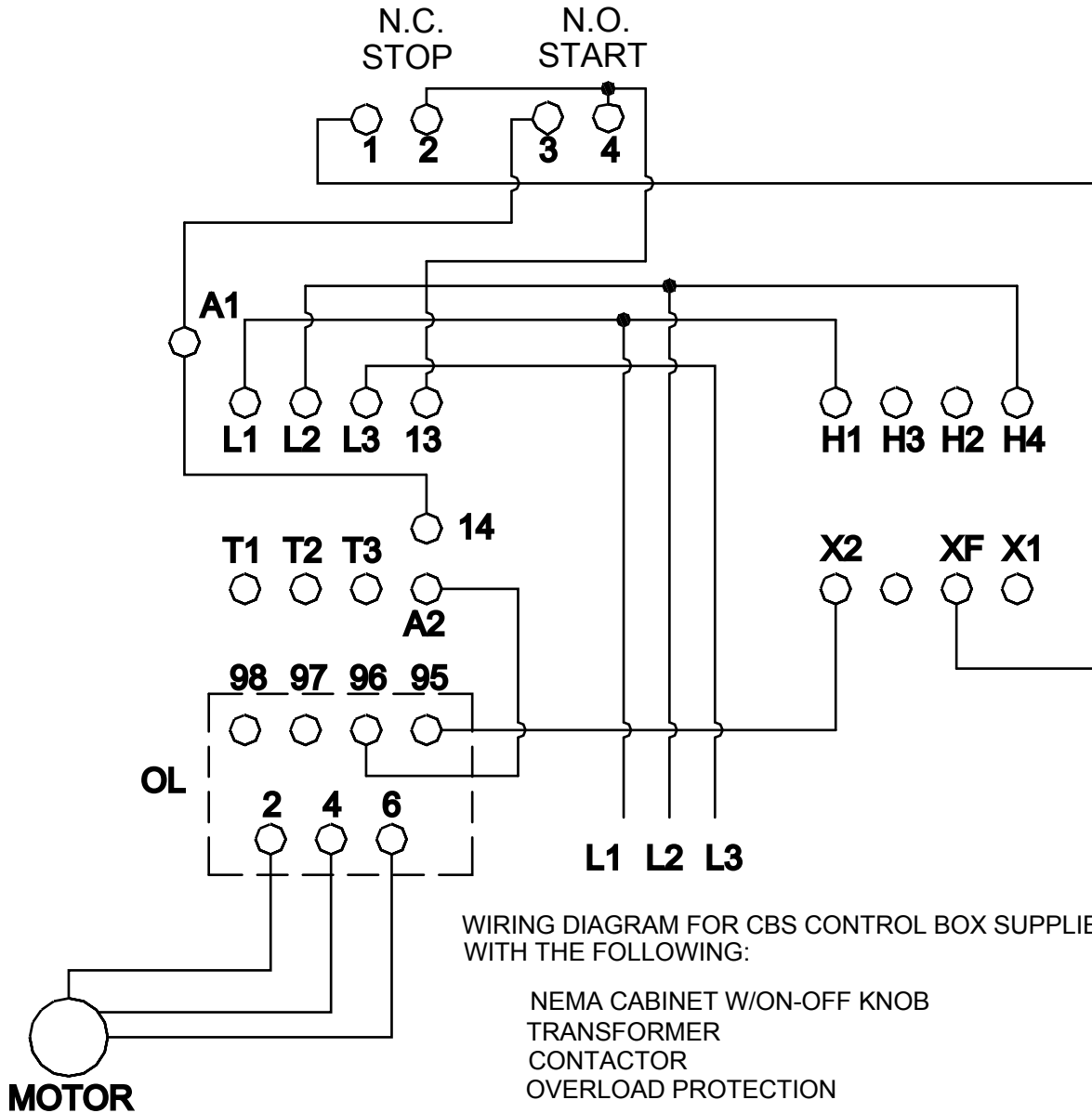


**TECHNICAL
INFORMATION**

In the interest of continuing product improvement,
we reserve the right to change models,
specifications, and/or features without prejudice.

PROJECT: _____
 LOCATION: _____
 ARCHITECT: _____
 ENGINEER: _____
 CONTRACTOR: _____
 DATE: _____ SALES ENGINEER: _____

Control Box Starter (CBS) • Wiring Diagram



WIRING DIAGRAM FOR CBS CONTROL BOX SUPPLIED
WITH THE FOLLOWING:

- NEMA CABINET W/ON-OFF KNOB
- TRANSFORMER
- CONTACTOR
- OVERLOAD PROTECTION