

## TECHNICAL INFORMATION

In the interest of continuing product improvement,  
we reserve the right to change models,  
specifications, and/or features without prejudice.

PROJECT: \_\_\_\_\_  
LOCATION: \_\_\_\_\_  
ARCHITECT: \_\_\_\_\_  
ENGINEER: \_\_\_\_\_  
CONTRACTOR: \_\_\_\_\_  
DATE: \_\_\_\_\_ SALES ENGINEER: \_\_\_\_\_

www.monoxivent.com

info@monoxivent.com

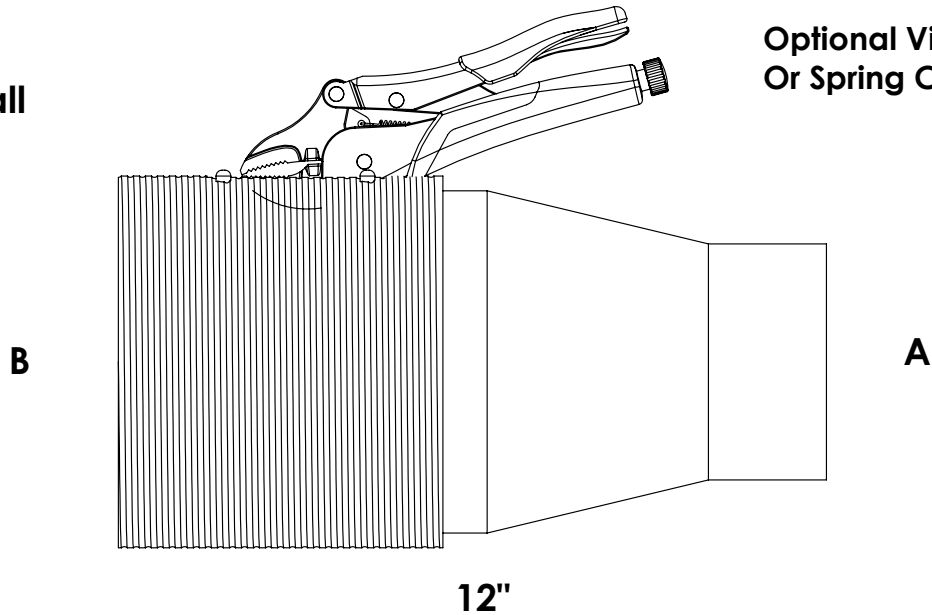
309-794-1000

Page: AC-2

## CLAMPING TAILPIPE NOZZLE

**1/4" Heavy  
Neoprene Wall**

**Optional Vise Grip  
Or Spring Clamp**



- A** - Available in 4", 5", 6", or 8"
- B** - 6" Mouth for the 8000 Series
- C** - 8" Mouth for the 8080 Series

Inner Body and Tapered End Constructed of 20-Gauge Galvanized Steel  
Main Outer Body Constructed of 600 Degree EPDM Rubber - 1/4" Wall

NOTE: 8000 Series Nozzles can be supplied with screen and Locking Hand Damper as optional accessories. The screen is used as a catch guard, keeping out debris. The Locking Hand Damper is used to close off the air supply to the nozzle when the nozzle is not in use.

NOTE: 8000 Series Nozzles can also be provided with optional handles, lifting sleeves, etc.