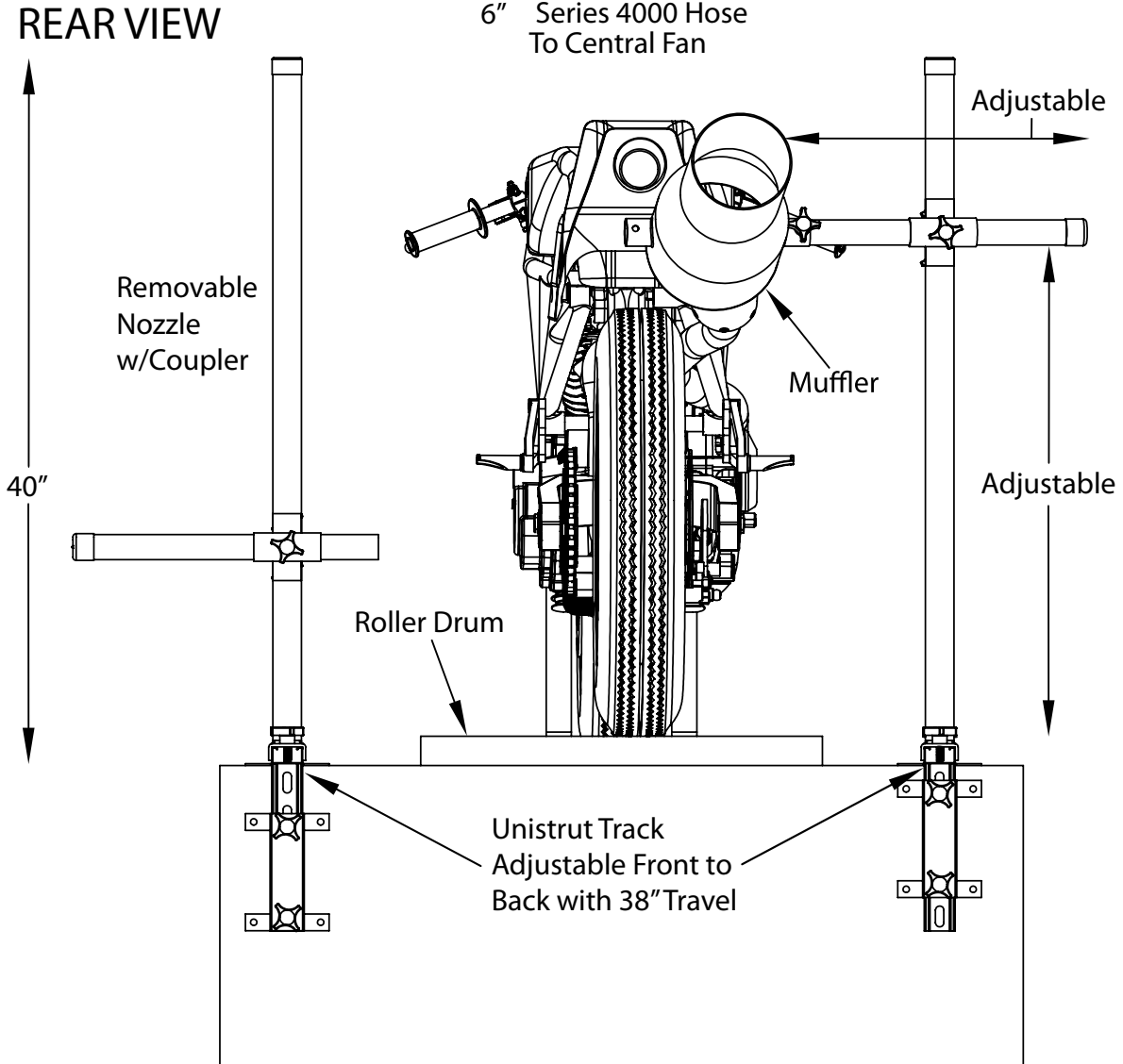


**TECHNICAL  
INFORMATION**

In the interest of continuing product improvement,  
we reserve the right to change models,  
specifications, and/or features without prejudice.

PROJECT: \_\_\_\_\_  
LOCATION: \_\_\_\_\_  
ARCHITECT: \_\_\_\_\_  
ENGINEER: \_\_\_\_\_  
CONTRACTOR: \_\_\_\_\_  
DATE: \_\_\_\_\_ SALES ENGINEER: \_\_\_\_\_

**MOTORCYCLE DYNO PACKAGE**



CONSISTS OF:

- 2 - Removable Slide Base
- 1 - 10'x6" Series 4000 Flex Hose
- 1 - Removable 6" Metal Nozzle w/Coupler
- 1 - 6"x5"x5" Y-Kit with 2 - 4'x5" Series 4000 Flex Hose and 2 - 5" Removable Metal Nozzle with Coupler
- 1 - D20-3 Blower with 1200 CFM @ 3.5" SP, 2 HP TEFC 230/460/3 Motor and Wall Bracket