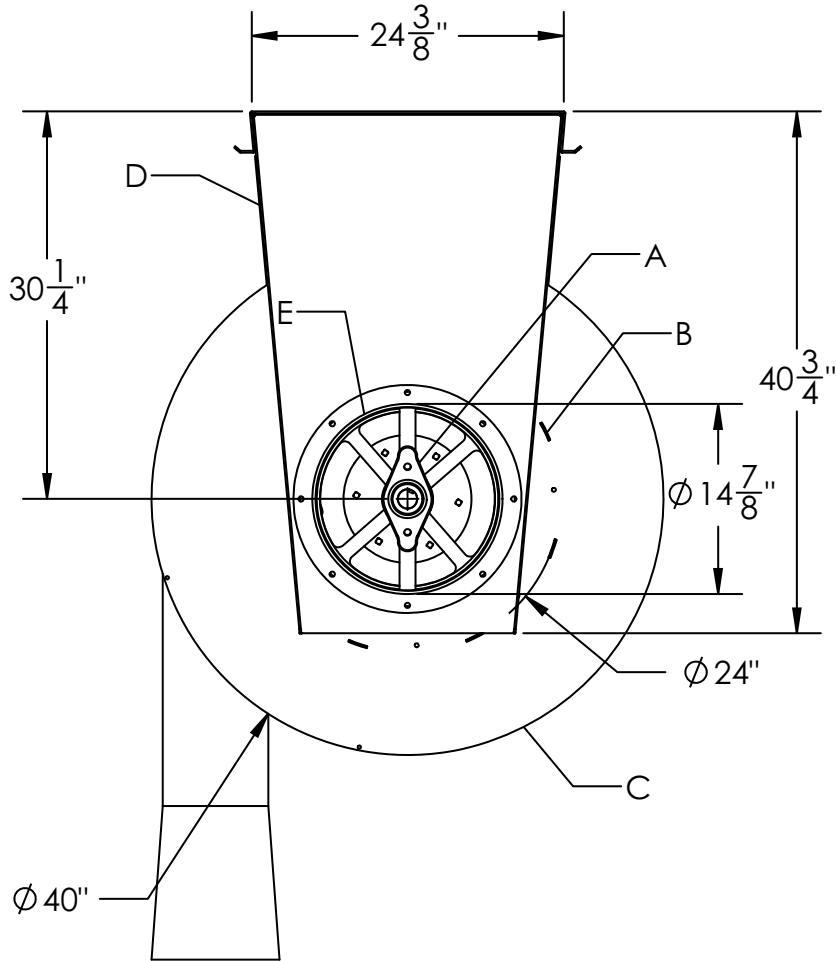


**TECHNICAL
INFORMATION**

In the interest of continuing product improvement,
we reserve the right to change models,
specifications, and/or features without prejudice.

PROJECT: _____
 LOCATION: _____
 ARCHITECT: _____
 ENGINEER: _____
 CONTRACTOR: _____
 DATE: _____ SALES ENGINEER: _____

XL Series Hose Reels - Oversized • 24" Drum SIDE VIEW for Models XL-24-3, XL-24-5, XL-24-7



NOTES:

- Operator - Standard: 1/2 HP 115/230/1 or
Optional: 1/2 HP 230/460/3 Chain Driven ODP Motor Assembly
2-button Up/Down Switch, and Internal Automatic Reset Thermal
Overload
- Optional: Explosion Proof Motor Drive with Push Button
Control
- Hose Reel shall be powder-coated Red (optional
Stainless Steel Construction)
- Contact Factory for Flex Hose Options

**XL- 24 MONOXIV
ID/DESCRIPTION**

- A. Inlet Drum Beari
Spark Free Operation Available
With Optional Bearings
- B. 16-Gauge Drum
- C. 12-Gauge Drum En
- D. 10-Gauge End Fra
- E. Duct Connection Coll