



XL Series Hose Reel  
 Motor Operated  
 36" Drum, Side View

## TECHNICAL INFORMATION

In the interest of continuing product improvement, we reserve the right to change models, specifications, and/or features without prejudice.

PROJECT: \_\_\_\_\_  
 LOCATION: \_\_\_\_\_  
 ARCHITECT: \_\_\_\_\_  
 ENGINEER: \_\_\_\_\_  
 CONTRACTOR: \_\_\_\_\_  
 DATE: \_\_\_\_\_ SALES ENGINEER: \_\_\_\_\_

www.monoxivent.com

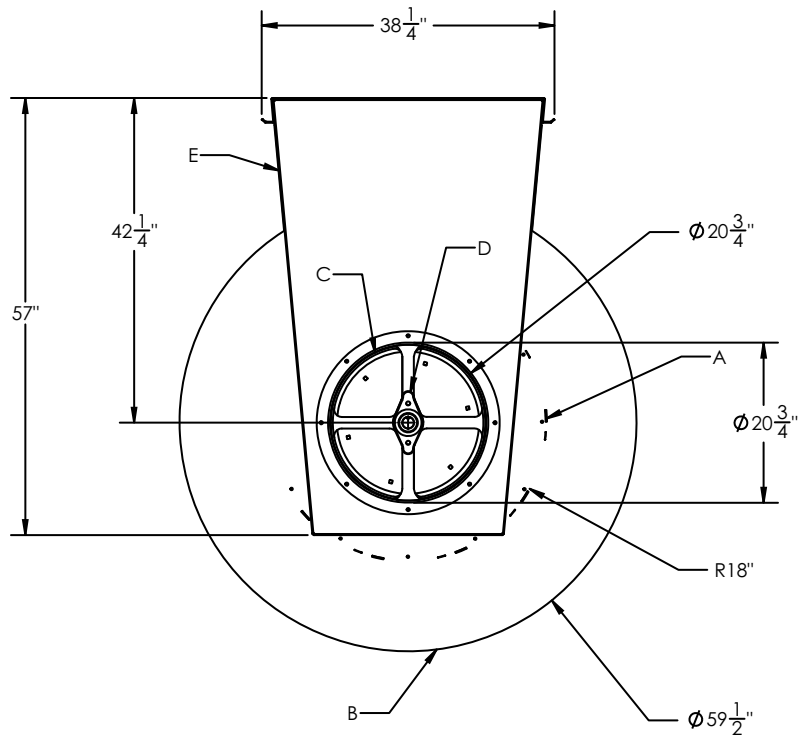
info@monoxivent.com

309-794-1000

Page: HRMO-23

MOTOR OPERATED  
HOSE REELS

### XL Series Hose Reels - Oversized • 36" Drum SIDE VIEW for Models XL-36-5, XL-36-7



#### ID/Description

- A. 16-Gauge Drum
- B. 12-Gauge Drum En
- C. 10-Gauge End Frame
- D. Inner, Outer Ring
- E. Inlet Drum Bearing  
 Spark Free Operation Available  
 with Optional Bearings

#### NOTES:

- \* Operator - Standard: 3/4 HP 115/230/1 or Optional: 3/4 HP 230/460/3 Chain Driven ODP Motor Assembly, 2-Button Up/Down Switch, and Internal Automatic Reset Thermal Overload
- \* Optional: Explosion Proof Motor Drive with Push Button Control
- \* Hose Reel shall be powder-coated Red (optional stainless steel construction)
- \* Contact Factory for Flex Hose Options