

**TECHNICAL
INFORMATION**

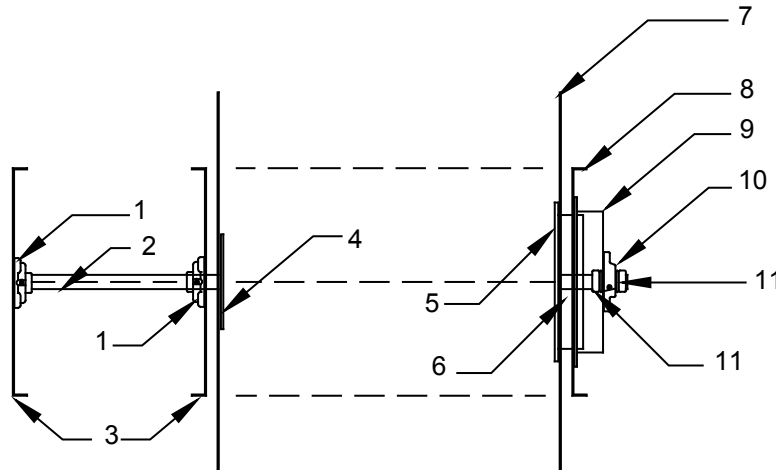
In the interest of continuing product improvement,
we reserve the right to change models,
specifications, and/or features without prejudice.

PROJECT: _____
LOCATION: _____
ARCHITECT: _____
ENGINEER: _____
CONTRACTOR: _____
DATE: _____ SALES ENGINEER: _____

www.monoxivent.cominfo@monoxivent.com

309-794-1000

Page: HRMO-25



Top Partial Interior View

1. Motor shaft bearing. Verify shaft set screw is tight. Bearing has a grease zert for future lubrication
2. Drive Shaft. Motor drive sprocket is factory mounted. Verify that shaft set screw is tight.
3. "A" Frames. Check to verify bearing mounting screws are tight.
4. Shaft Plate. Verify all nuts are tight on plate
5. Outlet interior bearing with shaft. Verify all nuts on mounting bolts through the drum end are tight.
6. Interior outlet bearing sleeve.
7. Drum End
8. "A" Frame.
9. Outlet duct collar. Collar is furnished with a reducer to ID of duct.
10. Shaft bearing, high temperature sealed bearing. Verify that fasteners are tight,
11. Shaft collar with UHMW washer. Verify set screws are secure.