



Hose Reels, Series
9000 Mounting Positions

TECHNICAL INFORMATION

In the interest of continuing product improvement,
we reserve the right to change models,
specifications, and/or features without prejudice.

PROJECT: _____
LOCATION: _____
ARCHITECT: _____
ENGINEER: _____
CONTRACTOR: _____
DATE: _____ SALES ENGINEER: _____

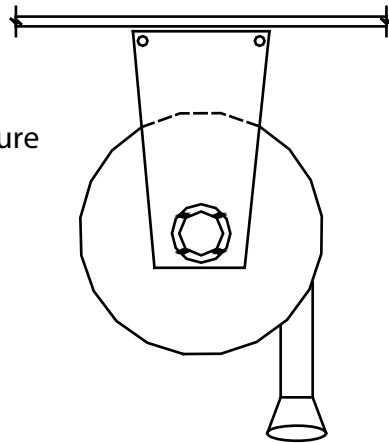
www.monoxivent.com

info@monoxivent.com

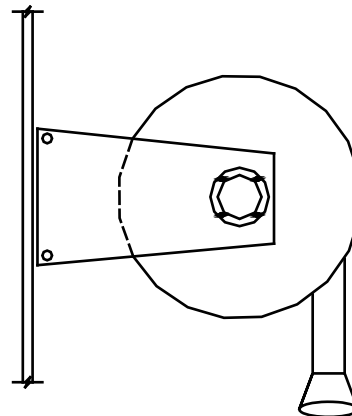
309-794-1000

Page: HRSO-10

A - Mount From Overhead Support Structure



B - Mount From Side Support Structure



**C - Mount on Floor or On Top of
Overhead Support Structure**

