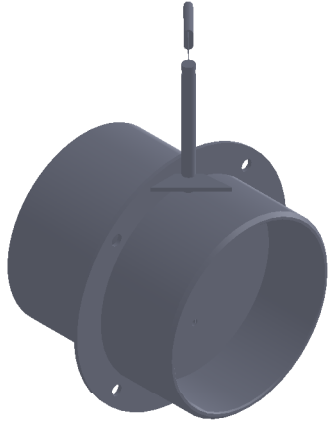


TECHNICAL INFORMATION

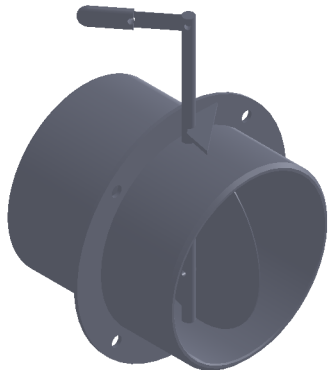
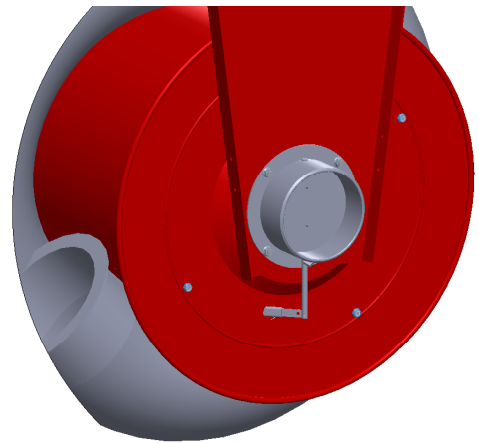
In the interest of continuing product improvement,
we reserve the right to change models,
specifications, and/or features without prejudice.

PROJECT: _____
LOCATION: _____
ARCHITECT: _____
ENGINEER: _____
CONTRACTOR: _____
DATE: _____ SALES ENGINEER: _____

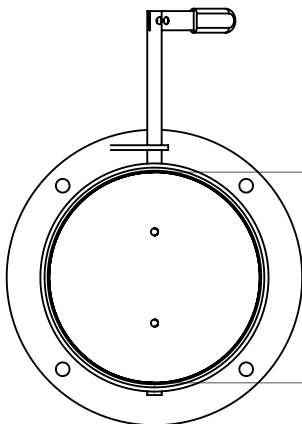
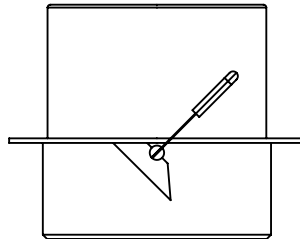
9000-DMPR



Damper Closed

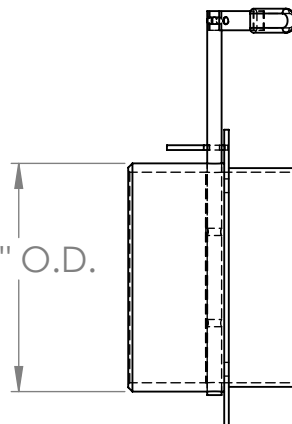


Damper Opened



$\phi 5 \frac{1}{2}$ " I.D.

$\phi 6$ " O.D.



$\phi 5 \frac{3}{4}$ " O.D.