

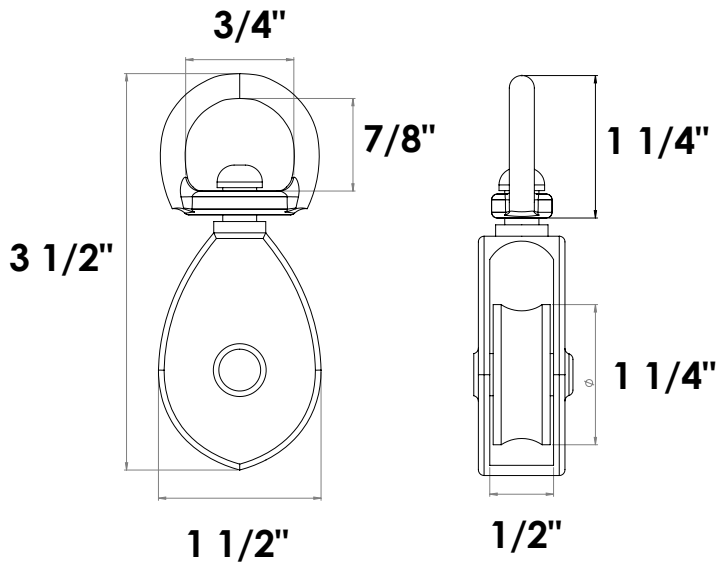
**TECHNICAL
INFORMATION**

In the interest of continuing product improvement,
we reserve the right to change models,
specifications, and/or features without prejudice.

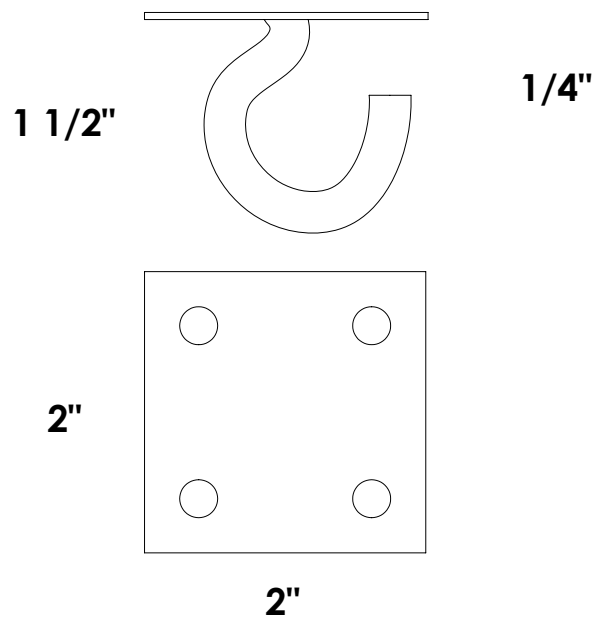
PROJECT: _____
 LOCATION: _____
 ARCHITECT: _____
 ENGINEER: _____
 CONTRACTOR: _____
 DATE: _____ SALES ENGINEER: _____

PU-KIT-R

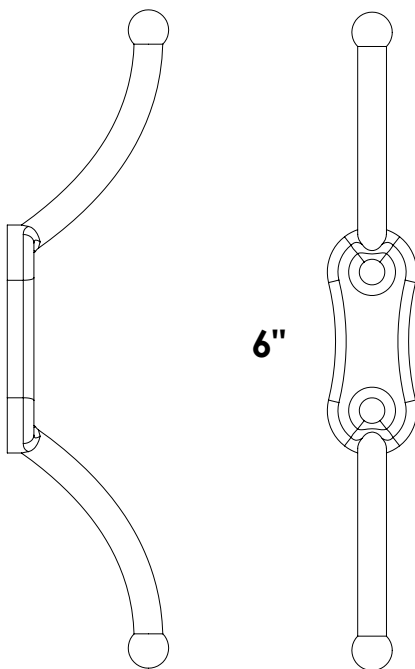
23857 Pulley



23861 Pulley Mounting Hook



23858 Wall Cleat



**23859 Multi-Filament
Polypropolyene Cord - 750 lbs.
Breaking Strength**

