

**TECHNICAL
INFORMATION**

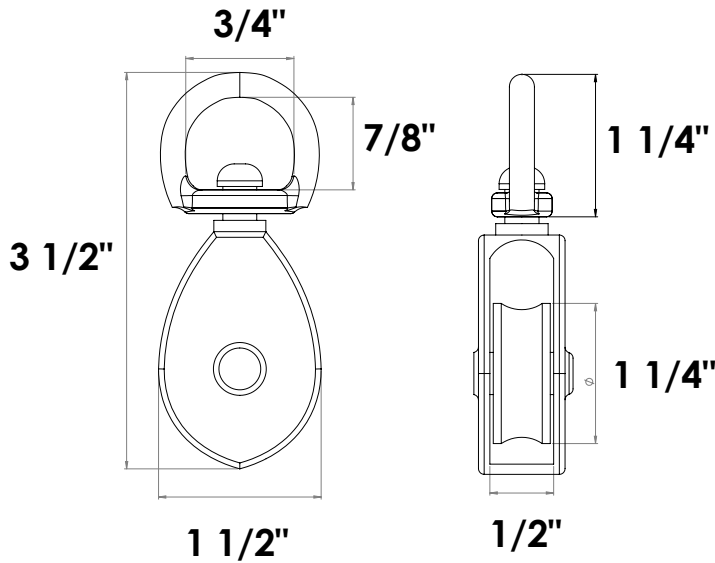
In the interest of continuing product improvement,
we reserve the right to change models,
specifications, and/or features without prejudice.

PROJECT: _____
 LOCATION: _____
 ARCHITECT: _____
 ENGINEER: _____
 CONTRACTOR: _____
 DATE: _____ SALES ENGINEER: _____

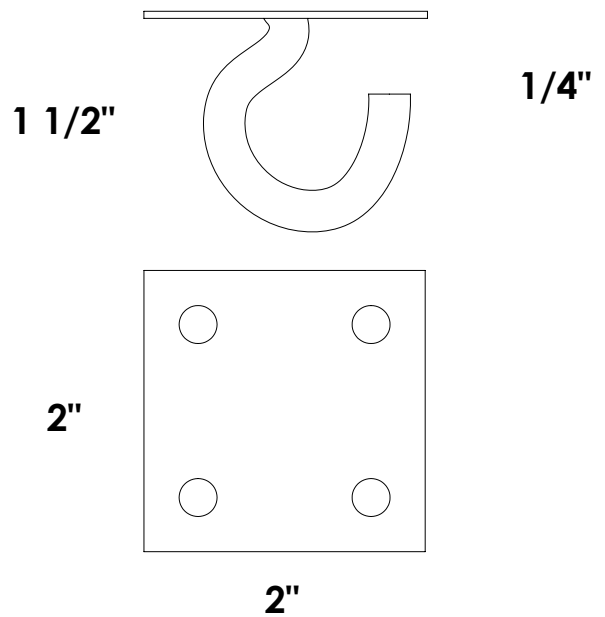
OVERHEAD
EXHAUST SYSTEMS

PU-KIT-W

23857 Pulley

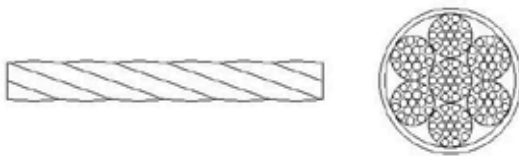


23861 Pulley Mounting Hook

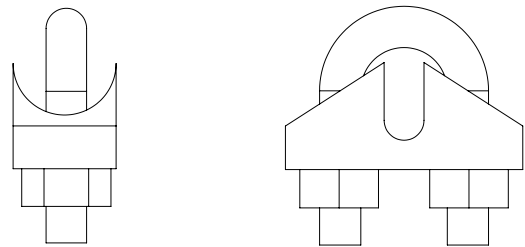


23873 Cable

**Galvanized Aircraft Cable
920 LBS Breaking Strength**



41007 - 1/8" Pleated Cable Clamp



*Please see other pages in this section for additional
components for the PU-KIT-W*