



Portable Fume Exhauster,
With Foot Mount Base

TECHNICAL INFORMATION

In the interest of continuing product improvement,
we reserve the right to change models,
specifications, and/or features without prejudice.

PROJECT: _____
 LOCATION: _____
 ARCHITECT: _____
 ENGINEER: _____
 CONTRACTOR: _____
 DATE: _____ SALES ENGINEER: _____

www.monoxivent.com

info@monoxivent.com

309-794-1000

Page: PVSC-13

**Blower is constructed of cast Silumin (Silicon Aluminum Alloy) (both housing and wheel)
Wheel is radial blade type**

**Standard Motors are Baldor with TEFC Enclosure. Standard Motors are UL UR
Recognized as a component and CSA Certified in Canada.**

Motor is 3450 RPM

Provided with clockwise rotation only

Foot mount base

1-Phase: 115 Volt

ON/OFF Switch

25' Power Cord w/ Plug

Carrying Handle

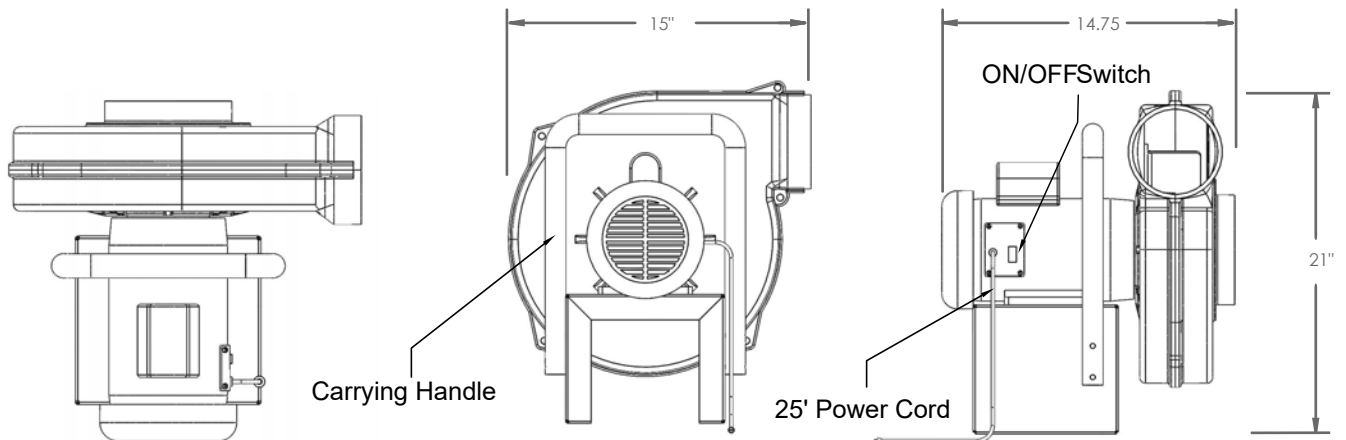
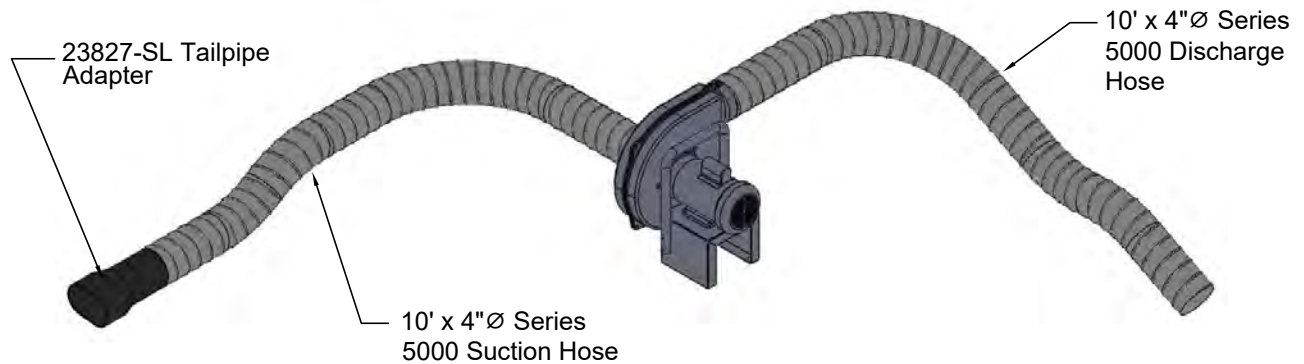
10' x 4" Diameter, Series 5000 Hose on Suction Side

10' x 4" Diameter, Series 5000 Hose on Discharge Side

23827-SL Tailpipe Adapter



Single Phase Model	HP	RPM	1"	CFM @ Static Pressure								DBA at 5'	Motor Frame
				2"	3"	4"	5"	6"	7"	8"	9"		
D05-1	0.5	3450	450	435	390	350	260	150	---	---	---	85	56



*The D Series fans are not UL Listed or CSA Certified as an assembly. Motor specifications subject to change without notice.