

**TECHNICAL  
INFORMATION**

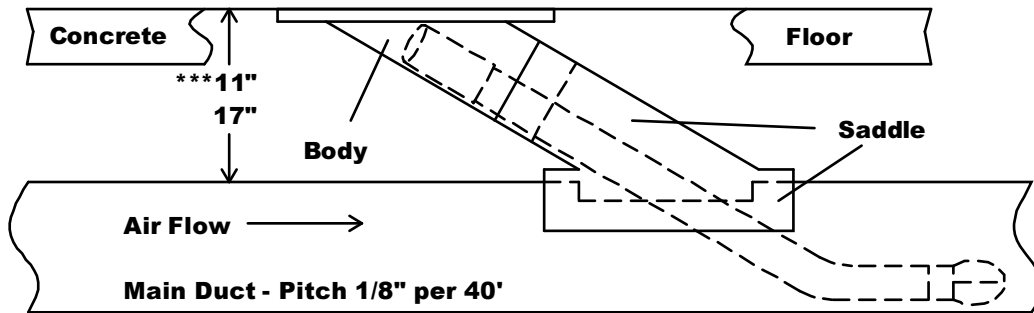
In the interest of continuing product improvement,  
we reserve the right to change models,  
specifications, and/or features without prejudice.

PROJECT: \_\_\_\_\_  
LOCATION: \_\_\_\_\_  
ARCHITECT: \_\_\_\_\_  
ENGINEER: \_\_\_\_\_  
CONTRACTOR: \_\_\_\_\_  
DATE: \_\_\_\_\_ SALES ENGINEER: \_\_\_\_\_

• MODELS: 23816 - FOR 3" HOSE; 23818 - FOR DUAL 3" HOSE; 23817 - FOR 4" HOSE; 23819 - FOR 5" HOSE; 23820 - FOR 6" HOSE •

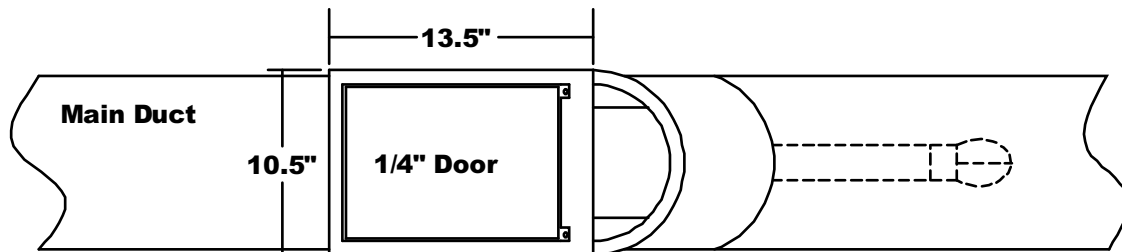
**SIDE VIEW**

\* LAY FLAT DOOR & FLOOR FLANGE



NOTE: This dimension can be increased or decreased

**TOP VIEW**



**PRODUCT FEATURES:**

- DOOR - 1/4", 4-way Structural Solid Steel Plate - 9" x 11" Zinc Coated
- FLOOR FLANGE - 14-Gauge Stamped Steel Plate Zinc Coated
- BODY - 20-Gauge 304 Stainless Steel
- SADDLE - 20-Gauge 304 Stainless Steel

NOTE: Above system is used with Monoxivent's VE Duct.