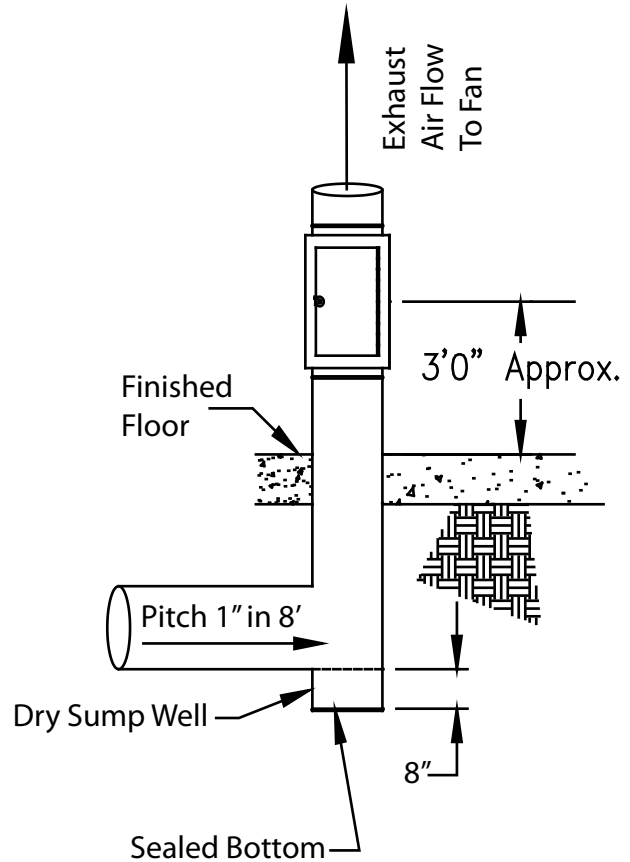
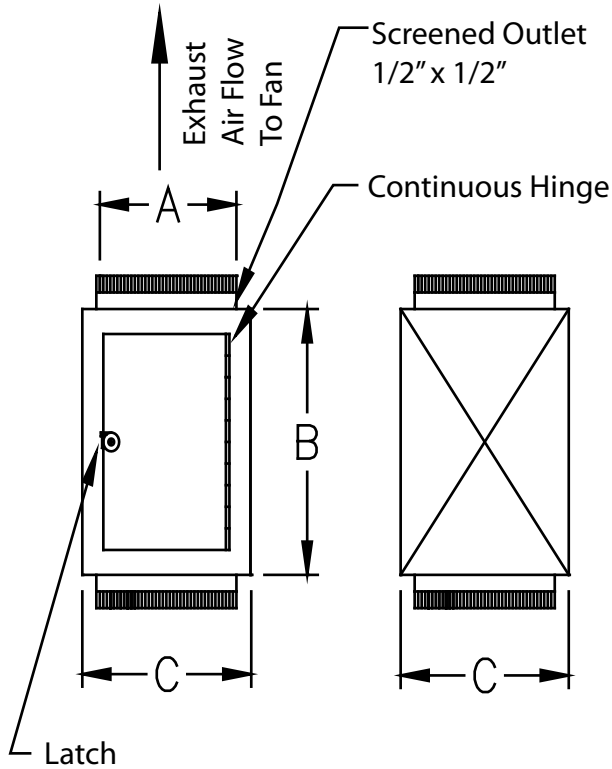


**TECHNICAL
INFORMATION**

In the interest of continuing product improvement,
we reserve the right to change models,
specifications, and/or features without prejudice.

PROJECT: _____
 LOCATION: _____
 ARCHITECT: _____
 ENGINEER: _____
 CONTRACTOR: _____
 DATE: _____ SALES ENGINEER: _____

**UNDERGROUND VEHICLE EXTRACTION SYSTEMS
REFUSE CLEAN OUT (REFCO)**



Model	A	B	C
REFCO-10	10"	16"	12"
REFCO-12	12"	16"	14"
REFCO-14	14"	16"	16"
REFCO-16	16"	16"	18"
REFCO-18	18"	16"	20"

The REFCO Series offers refuse clean out plenums that are designed as a debris trap to protect the exhaust fan, while providing access to the underground ducting system through the riser duct for accumulated refuse and insertion of a sump pump to eject water should the system become flooded.

The refuse clean out shall be constructed of (minimum) 20-gauge galvanized steel with stainless steel continuous hinge, access door and latch. A screen mesh of 1/2" x 1/2" shall be provided across the outlet opening.

Note - factory reserves the right to change dimensional data without notice.