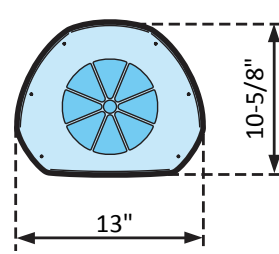
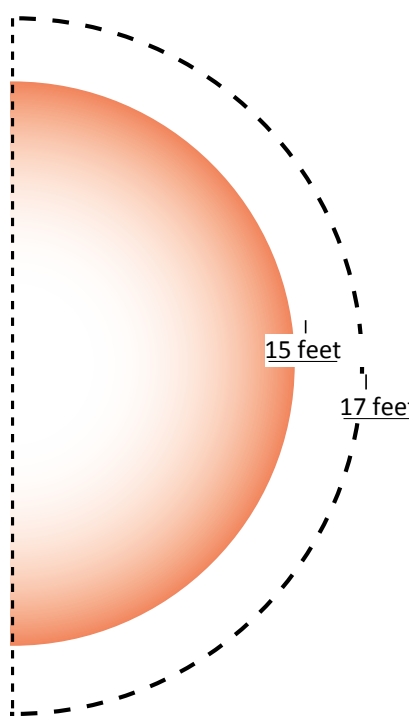
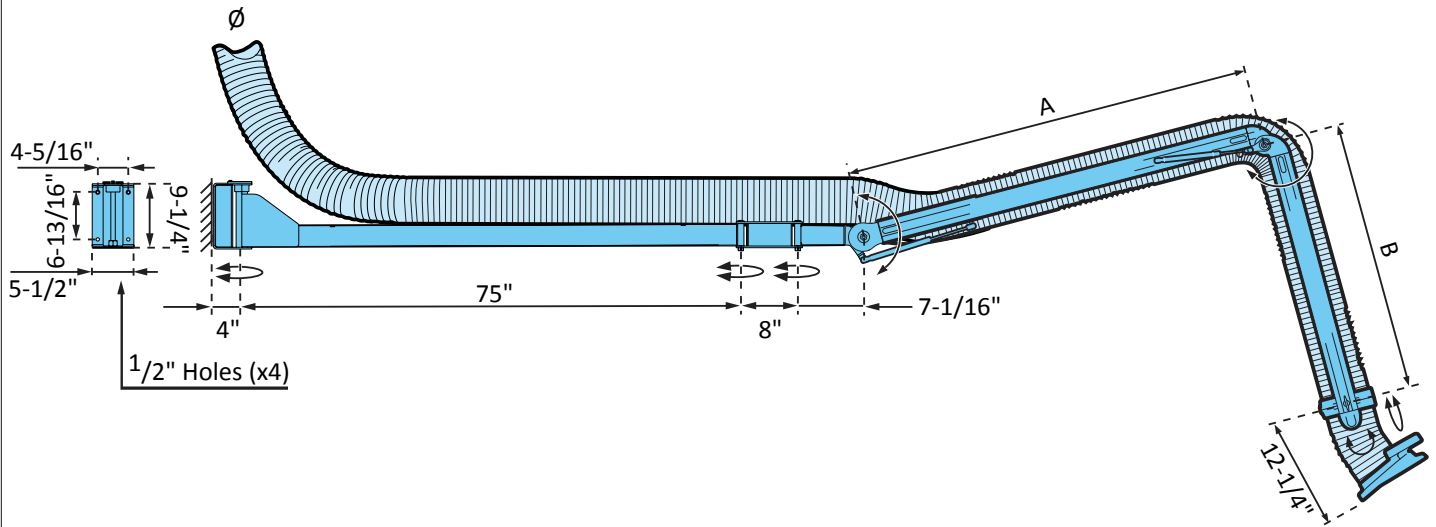


**TECHNICAL  
INFORMATION**

In the interest of continuing product improvement,  
we reserve the right to change models,  
specifications, and/or features without prejudice.

PROJECT: \_\_\_\_\_  
 LOCATION: \_\_\_\_\_  
 ARCHITECT: \_\_\_\_\_  
 ENGINEER: \_\_\_\_\_  
 CONTRACTOR: \_\_\_\_\_  
 DATE: \_\_\_\_\_ SALES ENGINEER: \_\_\_\_\_

**15000-EXT (1')**



Working radius  
 Max. radius

\*\*At a mounting height of 7 feet, and a working height of 2 feet, 6 inches.

Model	A	B	Work Radius	Max Radius
15164-EXT	57"	39"	180"*	204"
15165-EXT	57"	39"	180"*	204"
15166-EXT	57"	39"	180"*	204"

\* At a mounting height of 8 feet 3 inches and a working height of 30 inches.

**Nozzle:** Injection molded in with hood plate in anodized aluminum.  
**Hose:** Hose of dark-blue PE-coated polyamide fabric rated to 215 degrees F.  
 Other options available (chemical & abrasion resistant) - please consult factory  
 Optional light kit or fan/damper switch available.