

**TECHNICAL  
INFORMATION**

In the interest of continuing product improvement, we reserve the right to change models, specifications, and/or features without prejudice.

PROJECT: \_\_\_\_\_  
 LOCATION: \_\_\_\_\_  
 ARCHITECT: \_\_\_\_\_  
 ENGINEER: \_\_\_\_\_  
 CONTRACTOR: \_\_\_\_\_  
 DATE: \_\_\_\_\_ SALES ENGINEER: \_\_\_\_\_



**Ceiling Bracket MNX-CMB**

Description: Anodized Aluminum Ceiling Bracket for Mini Arm

**2" & 3" Mounting Brackets**

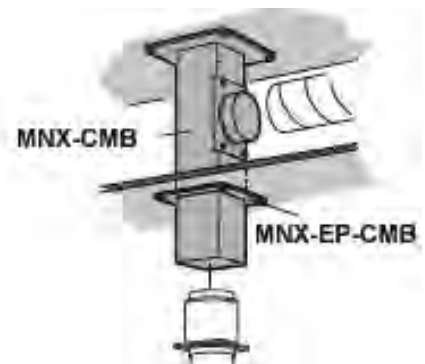
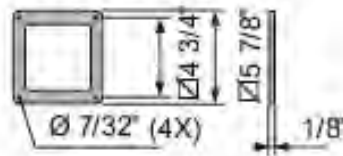
Model	Length Inches	Weight lbs.
MNX-250-CMB	10"	6.9
MNX-500-CMB	20"	8.4
MNX-750-CMB	30"	9.9
MNX-1000-CMB	40"	11.4
MNX-1500-CMB	60"	12.9

**4" Mounting Brackets**

Model	Length Inches	Weight lbs.
MNX-500-125-CMB	20"	10.8
MNX-750-125-CMB	30"	12.8
MNX-1000-125-CMB	40"	14.8
MNX-1250-125-CMB	50"	16.8
MNX-1500-125-CMB	60"	18.8
MNX-1750-125-CMB	70"	20.8
MNX-2000-125-CMB	80"	22.8

The attachment plate is adjustable for the entire length of the aluminum profile. If required, the aluminum profile can be cut during fitting.

**MNX-EP-CMB**



**Escutcheon plate MNX-EP-CMB**

Designation for 2 and 3 inch model	Weight oz
MNX-EP-CMB	1.75
Designation for 4 inch model	Weight oz
MNX-EP-CMB-4	4.4

Escutcheon plate, used together with ceiling mount MTI for stabilizing and to cover holes in the finished ceiling. Made completely from Polypropylene