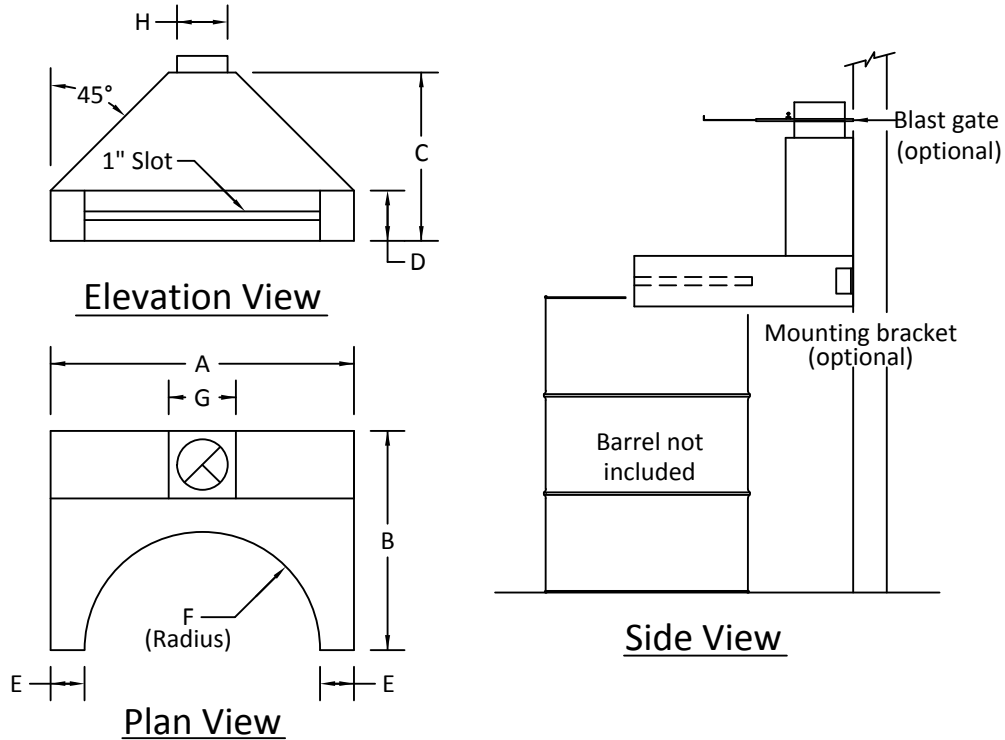


TECHNICAL INFORMATION

In the interest of continuing product improvement, we reserve the right to change models, specifications, and/or features without prejudice.

PROJECT: _____
 LOCATION: _____
 ARCHITECT: _____
 ENGINEER: _____
 CONTRACTOR: _____
 DATE: _____ SALES ENGINEER: _____

Slotted Barrel Hood



Qty.	Type	Material	Gauge	A	B	C	D

E	F (Radius)	G	H	Finish	Optional Bracket Size L x W	Tag

Finishes:

- Mill finish
- Painted
- Powder coated
- Primer only
- Custom colors

Standard Construction:

- 18-Gauge welded galvanized

Available Materials:

- Steel
- Stainless steel
- Aluminum
- Galvanized
- Corrosion resistant FRP
- * Thickness 26 ga. to 10 ga.

Options (Check Applicable):

- Hanging brackets
- Blast gate

Notes:

- Reference 28th Edition - Industrial Ventilation Guidelines for design assistance.