

TECHNICAL INFORMATION

In the interest of continuing product improvement, we reserve the right to change models, specifications, and/or features without prejudice.

PROJECT: _____
LOCATION: _____
ARCHITECT: _____
ENGINEER: _____
CONTRACTOR: _____
DATE: _____ SALES ENGINEER: _____

www.monoxivent.com

info@monoxivent.com

309-794-1000

Page: EF-6

**Blower is constructed of cast Silumin (Silicon Aluminum Alloy) (both housing and wheel)
Wheel is radial blade type**

**Standard Motors are Baldor with TEFC Enclosure. Standard Motors are UL UR
Recognized as a component and CSA Certified in Canada.**

Motor is 3450 RPM

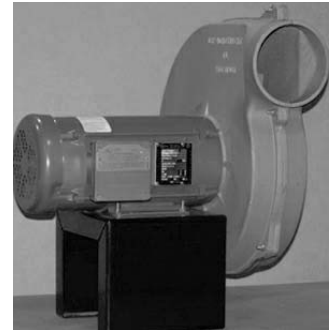
**Blower may be rotated (360 degrees) in 90 degree increments, allowing discharge
orientation to meet requirements**

Provided with clockwise rotation only

Foot mount base

1-Phase: 115/208/230 Volt

3-Phase: 208/230/460/575 Volt



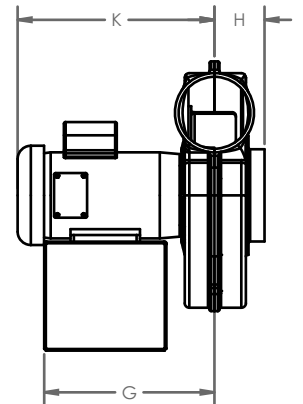
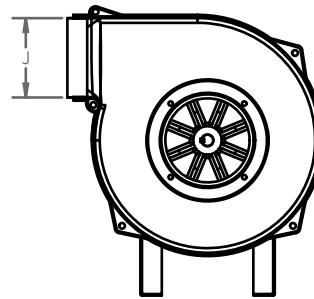
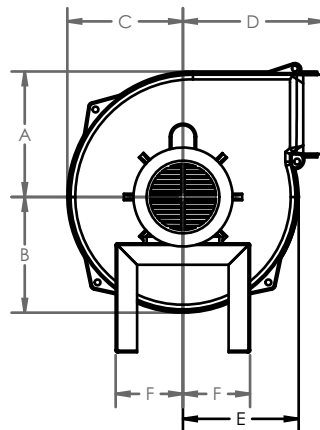
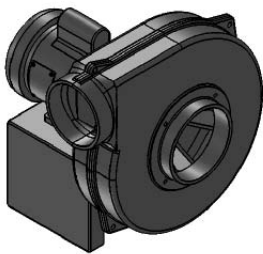
Single Phase	Three Phase	CFM @ Static Pressure											DBA at 5'	Motor Frame
Model	Model	HP	RPM	1"	2"	3"	4"	5"	6"	7"	8"	9"		
D05-1	D05-3	0.5	3450	450	435	390	350	260	150	---	---	---	85	56
D10-1	D10-3	1.0	3450	---	---	---	770	665	540	320	---	---	83	56
D15-1	D15-3	1.5	3450	965	910	840	780	675	550	330	---	---	83	56
D20-1	D20-3	2.0	3450	---	---	1237	1140	1070	990	915	825	735	86	145T
D30-1	D30-3	3.0	3450	1490	1420	1275	1213	1140	1070	990	915	825	86	145T

Single Phase: 115/230 Volts; Three Phase: 208/230/460/575 Volts 10.5" Wheel: D05; 12" Wheel: D10, D15; 13.5" Wheel: D20, D30

--- = Unstable operating range

D Series Dimensions

Model	Wheel Dia.	Inlet Dia.	Outlet Dia.	A	B	C	D	E	F	G	H	I	J	K
D05	10.625	5	4	9.25	6.5	7.5	7.5	6.25	5.13	12.25	3.25	5	4	11.5
D10	11.50	7	6	12	7.5	10	9	8	5.13	12.25	3.25	7	6	13.25
D15	11.50	7	6	12	7.5	10	9	8	5.13	12.25	3.25	7	6	13.25
D20	13.375	7	6	12	7.5	10	9	8	5.13	12.25	3.25	7	6	14
D30	13.375	7	6	12	7.5	10	9	8	5.13	12.25	3.25	7	6	14



*The D Series fans are not UL Listed or CSA Certified as an assembly. Motor specifications subject to change without notice.