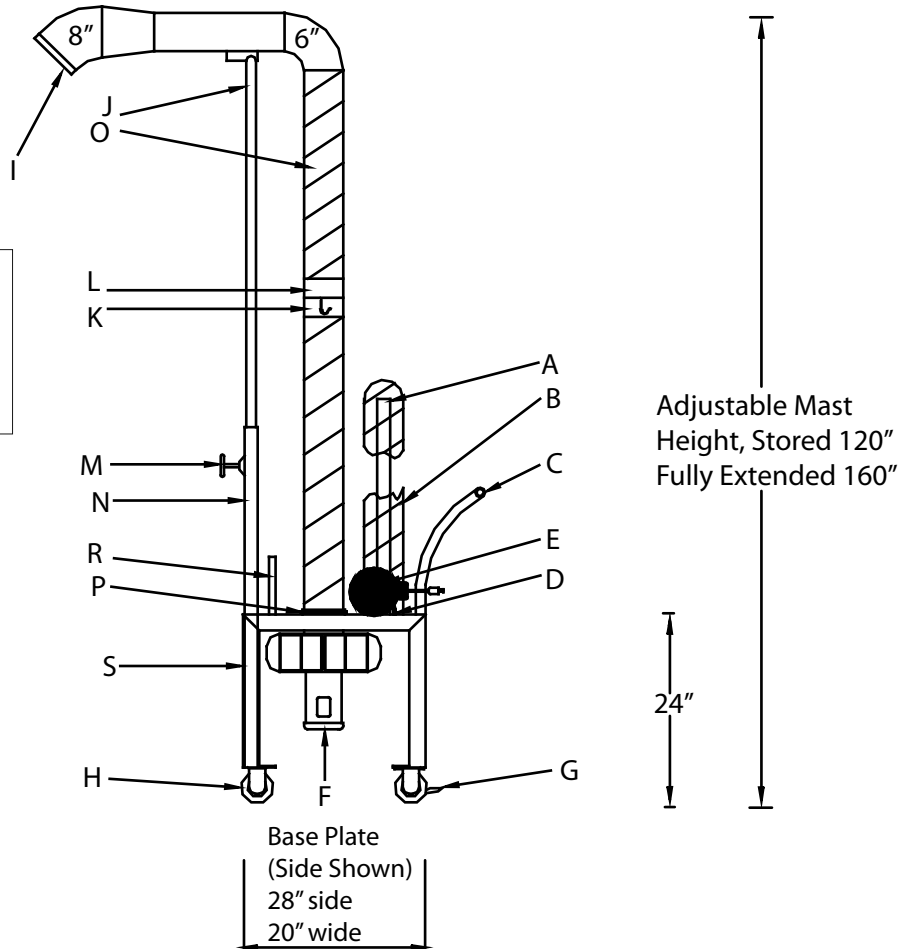


**TECHNICAL
INFORMATION**

In the interest of continuing product improvement,
we reserve the right to change models,
specifications, and/or features without prejudice.

PROJECT: _____
LOCATION: _____
ARCHITECT: _____
ENGINEER: _____
CONTRACTOR: _____
DATE: _____ SALES ENGINEER: _____



PORTABLE FUME
ELIMINATOR

A - Discharge Hose Storage Mast; B - 25' x 6" High Compression Discharge Hose (Series 7300); C - Push Handle; D - Fan On/Off Heavy Duty Switch; E - 45' Power Cord with Plug. Note, power cord stored on a lock and latch spring retractor assembly; F - TEFC 1.5 HP, 1 Phase, 3450 RPM Blower. Silumin (Silicon Aluminum Alloy) Wheel and Housing.; G - Foot Brake; H - 5" Solid Hard Rubber Wheels. Two Fixed and Two Swivel.; I - Vertical Stack Nozzle, with 8" Mouth Opening.; J - Upper Telescoping Nozzle Mast - 1 7/8" Galvanized Tube.; K - Female Quick Release Coupler, for Mast Hose.

L - Male Quick Release Coupler, for Mast Hose; M - Upper Mast Height Adjustment, Locking Mechanism; N - Lower Telescoping Nozzle Mast, 2" Galvanized Tube; O - 6" High Compression Inlet Hose, 600-Degree, Series 7600.; P - 180-Degree Blower, Swivel Fitting - Allows the Fan Discharge to Rotate in the Direction that the Discharge Hose Must Exit; R - Nozzle Storage Mast (For Storage of the Optional 8006-VG Under Chassis Nozzle); S - 3/16" Steel Base Plate Assembly. Laser Cut and Machine Bent. Powder Coat Finish.

Blower Performance:

Model	HP	1"	2"	3"	4"	5"	6"	7"
D15	1.5	965	910	840	780	675	550	330

* This blower is constructed of Silumin (Silicon Aluminum Alloy) housing and wheel. The wheel is of a radial type.

Standard Motors are Baldor with TEFC Enclosure. Standard Motors are UL UR Recognized as a component and CSA Certified in Canada.

The D Series fans are not UL Listed or CSA Certified as an assembly. Motor specifications subject to change without notice.

Approx. Wt.- 320 lbs.