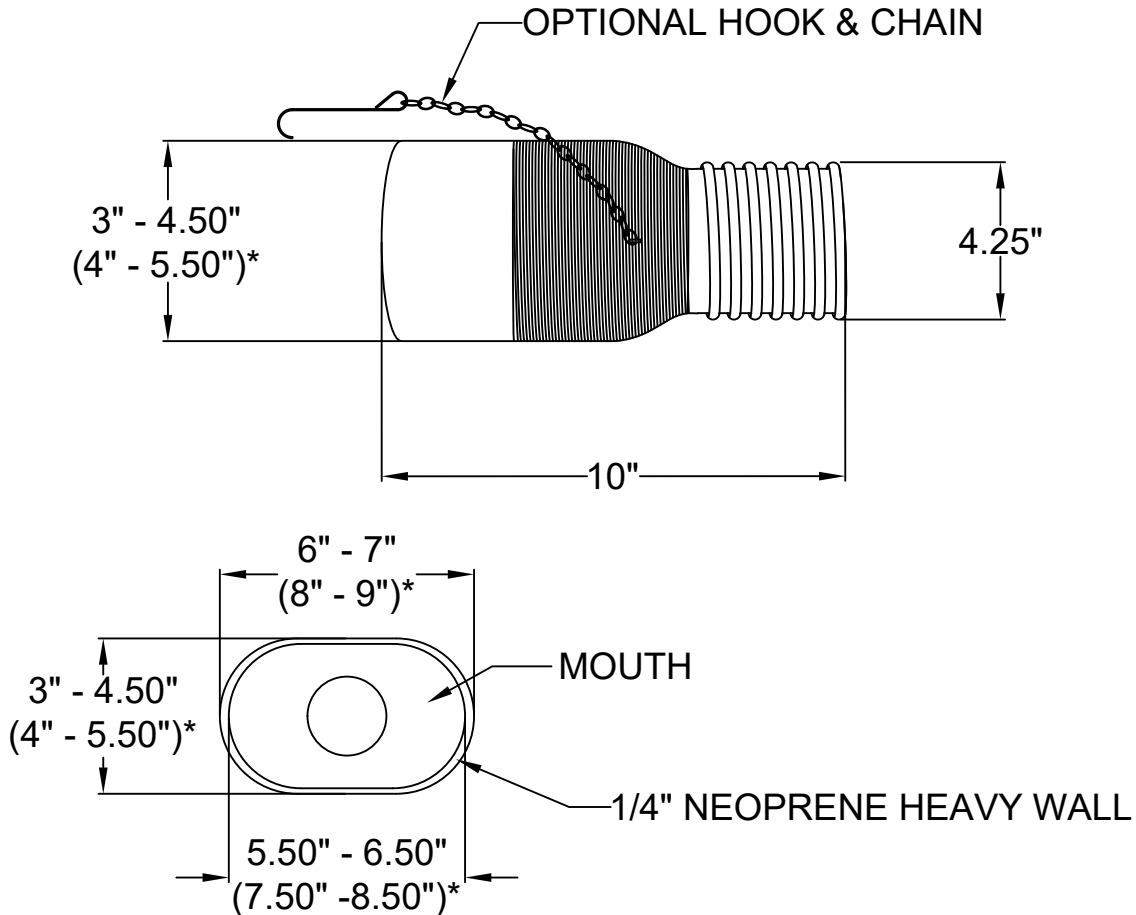


**TECHNICAL  
INFORMATION**

In the interest of continuing product improvement, we reserve the right to change models, specifications, and/or features without prejudice.

PROJECT: \_\_\_\_\_  
 LOCATION: \_\_\_\_\_  
 ARCHITECT: \_\_\_\_\_  
 ENGINEER: \_\_\_\_\_  
 CONTRACTOR: \_\_\_\_\_  
 DATE: \_\_\_\_\_ SALES ENGINEER: \_\_\_\_\_



**\*LARGE MOUTH AVAILABLE, MODEL 23828-SC**

The oval body tailpipe adapter is constructed of 600-degree heavy wall neoprene rubber. The connection end has convolutions to screw into the mating hose. Adapters are also supplied with a connection sleeve to allow the adapter to attach to all Monoxivent hose: 1000, 2000, 3000, 4000, and 5000.

The mouth of the oval adapter is flexible and allows for the change in dimensions listed. The 23827 adapter is a strong universal adapter and is used for most side by side exhaust pipe set-ups on many vehicles as well as single pipe exhaust.

(Optional Spring Hinged Damper Available)