

**TECHNICAL
INFORMATION**

In the interest of continuing product improvement,
we reserve the right to change models,
specifications, and/or features without prejudice.

PROJECT: _____
 LOCATION: _____
 ARCHITECT: _____
 ENGINEER: _____
 CONTRACTOR: _____
 DATE: _____ SALES ENGINEER: _____

MOTOR OPERATED
HOSE REELS

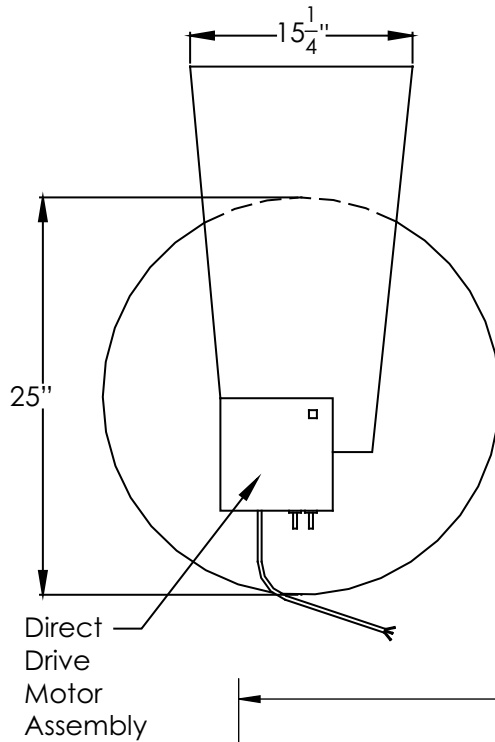
www.monoxivent.com

info@monoxivent.com

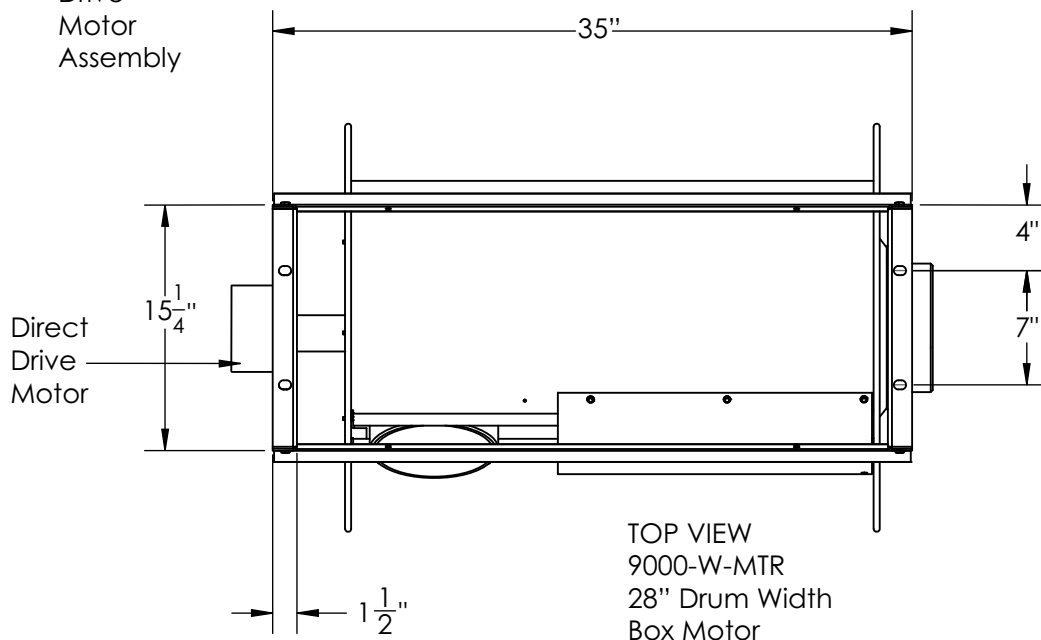
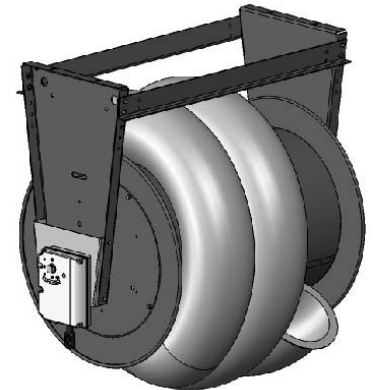
309-794-1000

Page: HRMO-8

END VIEW
MOTOR SIDE
9000-W-MTR



Box-Type Motor, 28" Drum Width



TOP VIEW
9000-W-MTR
28" Drum Width
Box Motor

(Mounting Holes are 9/16)