

TECHNICAL INFORMATION

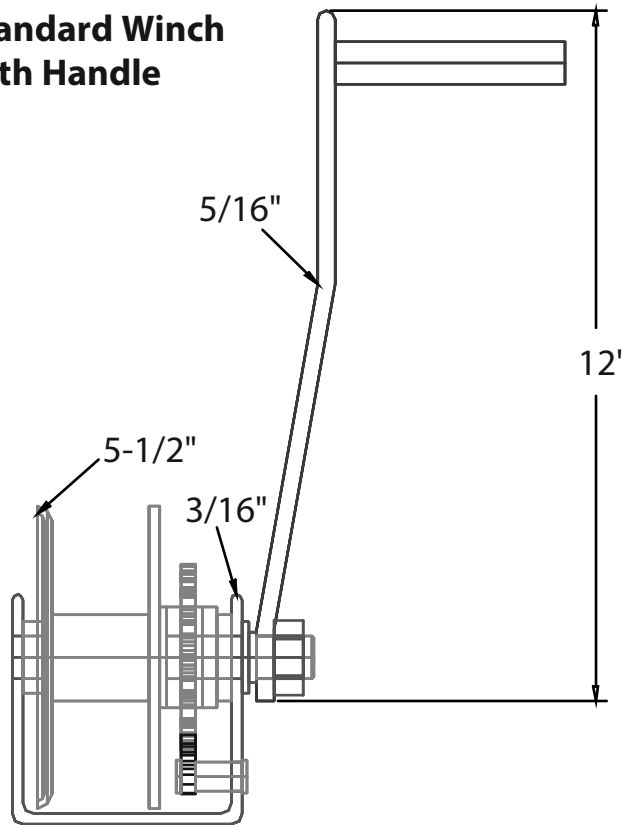
In the interest of continuing product improvement,
we reserve the right to change models,
specifications, and/or features without prejudice.

PROJECT: _____
LOCATION: _____
ARCHITECT: _____
ENGINEER: _____
CONTRACTOR: _____
DATE: _____ SALES ENGINEER: _____

HAND WINCH MODEL 23860-01

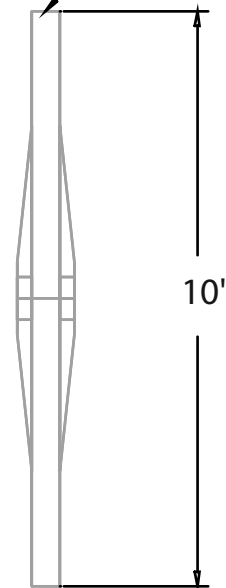
Gear Ratio: 1:1; Strength: 600 lbs.; Plating: Zinc; Brake: Self-Activating Automatic

Standard Winch with Handle

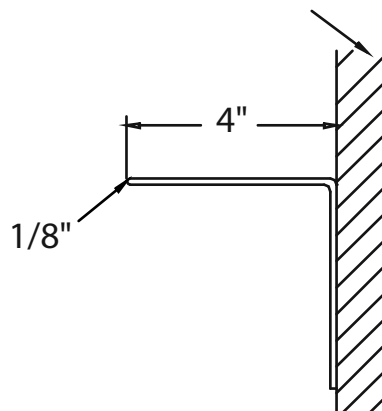


PU-KIT-W

Optional Rubber Wheel (Replaces Handle on Winch)



Wall or Column



Winch Mounting Plate

Winch Mounting Plate
MODEL 23860-02

OVERHEAD
EXHAUST SYSTEMS