

**TECHNICAL
INFORMATION**

In the interest of continuing product improvement, we reserve the right to change models, specifications, and/or features without prejudice.

PROJECT: _____
 LOCATION: _____
 ARCHITECT: _____
 ENGINEER: _____
 CONTRACTOR: _____
 DATE: _____ SALES ENGINEER: _____

MOTOR OPERATED
HOSE REELS

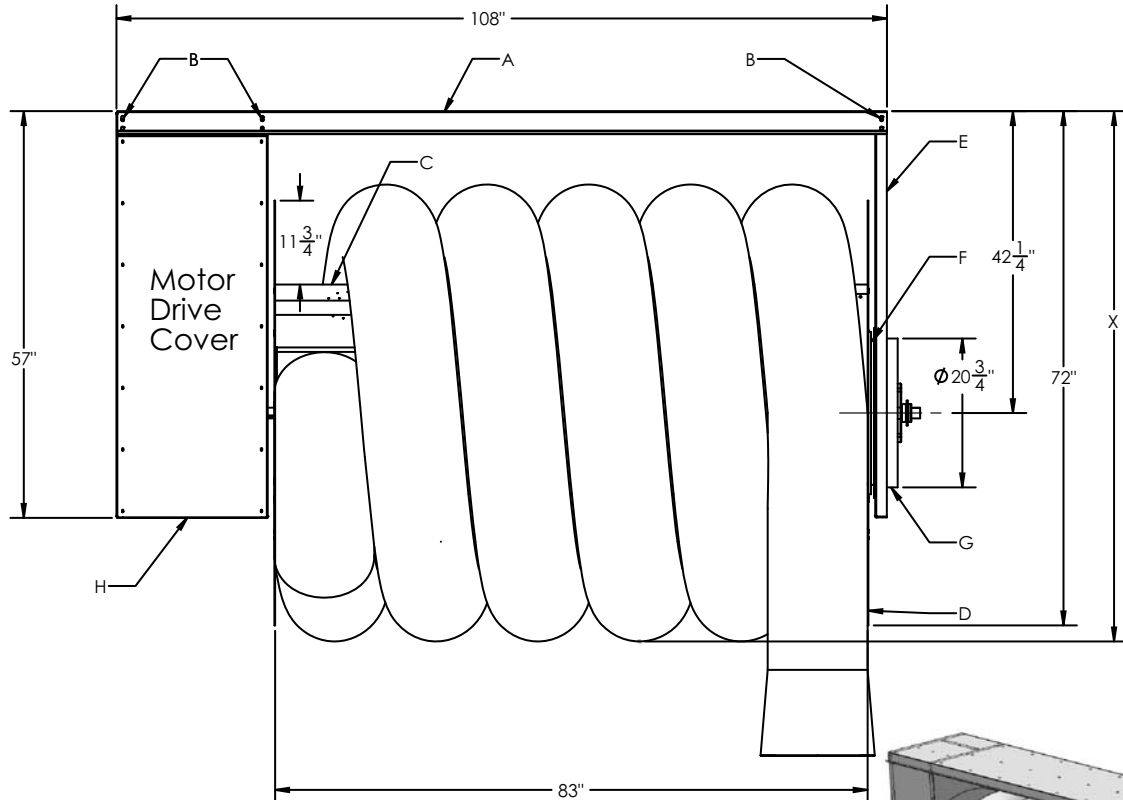
www.monoxivent.com

info@monoxivent.com

309-794-1000

Page: HRMO-26

XL Series Hose Reels - Oversized • 36" Drum Diameter - 7' Drum Width (XL-36-7)



**XL-36-7 MONOXIVENT
ID/Description**

- A. Support Fra
- B. Hanger Channel, Bolt Connecti
- C. 16-Gauge Dr
- D. 12-Gauge Drum En
- E. 10-Gauge End Fra
- F. Interior outlet bearing slee
- G. Inner, Outer Ri
- H. 18-Gauge Motor Cov

X Dimension (Nominal ID):

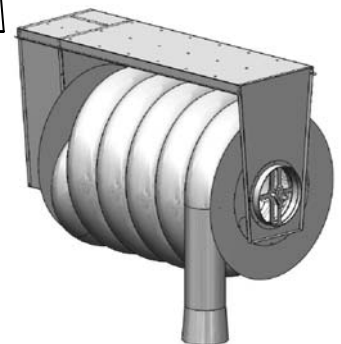
- 14" diameter hose = 73 1/2"
- 16" diameter hose = 75 1/2"
- 18" diameter hose = 77 1/2"

* Note #1: The outside dimension, for the Nominal Hose ID, may vary - please consult factory.

* Note #2: Nominal dimensions, without allowances for materials to hang and support hose reels.

NOTES:

- * XL-36-7: Weight - 710 lbs.
- * Operator - Standard: 3/4 HP 115/230/1 or Optional: 3/4 HP 230/460/3 Chain Driven ODP Motor Assembly, 2 Button Up/Down Switch, and Internal Automatic Reset Thermal Overload
- * Optional: Explosion Proof Motor Drive with Push Button Control
- * Hose Reels shall be powder-coated Red (optional stainless steel construction)
- * Contact Factory for Flex Hose Options



36" DRUM WIDTH • CAPACITIES

Model	Drum Dia.	Drum W.	Hose Dia.	Hose Capacity
XL-36-7	36"	7'	14"	Up to 80'
	36"	7'	16"	Up to 75'
	36"	7'	18"	Up to 65'