

**TECHNICAL
INFORMATION**

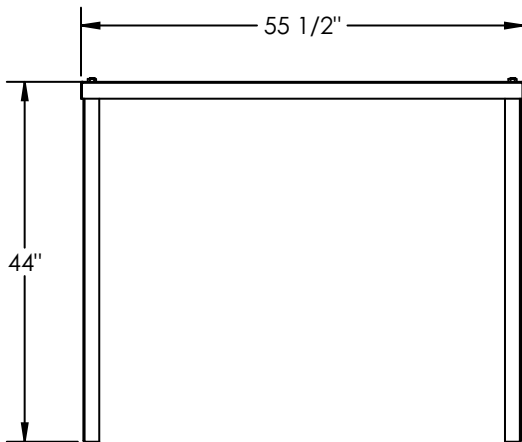
In the interest of continuing product improvement, we reserve the right to change models, specifications, and/or features without prejudice.

PROJECT: _____
 LOCATION: _____
 ARCHITECT: _____
 ENGINEER: _____
 CONTRACTOR: _____
 DATE: _____ SALES ENGINEER: _____

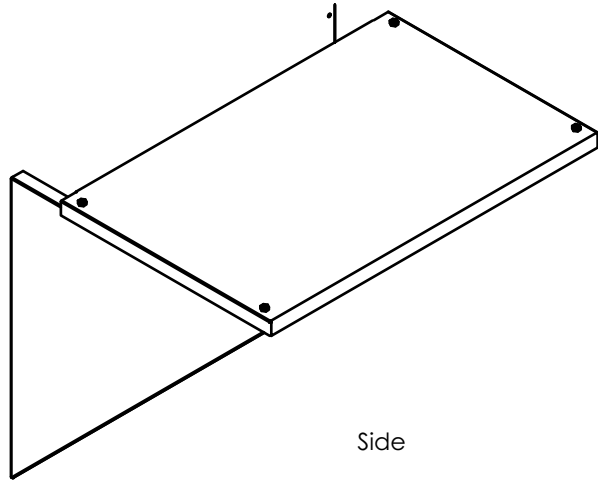
**UFP - UNIVERSAL
FAN PLATFORM**

Weight: 260 lbs.

Front



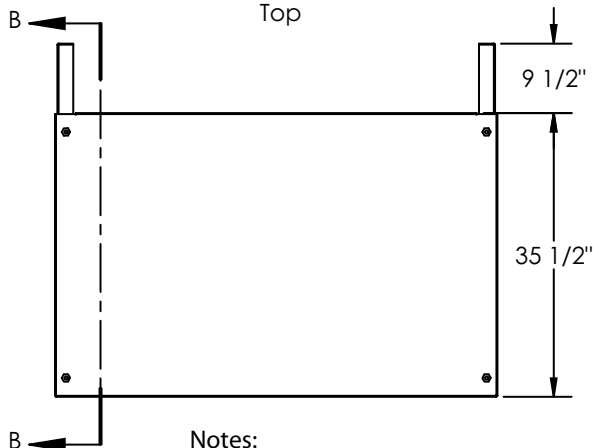
Side



Fan Platform (1)
12 ga

Fan Base Gusset (2)
12 ga

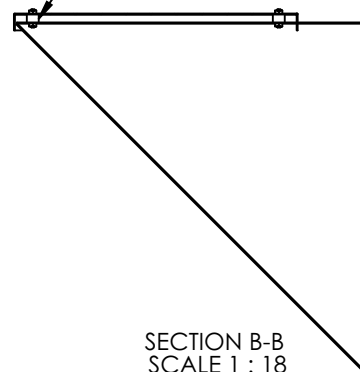
Top



Notes:

1. Welded Construction
2. Black Powder Coat Paint Finish
3. 4 Vibration Isolators Included with each platform

1" Vibration Isolator (4)



SECTION B-B
SCALE 1 : 18