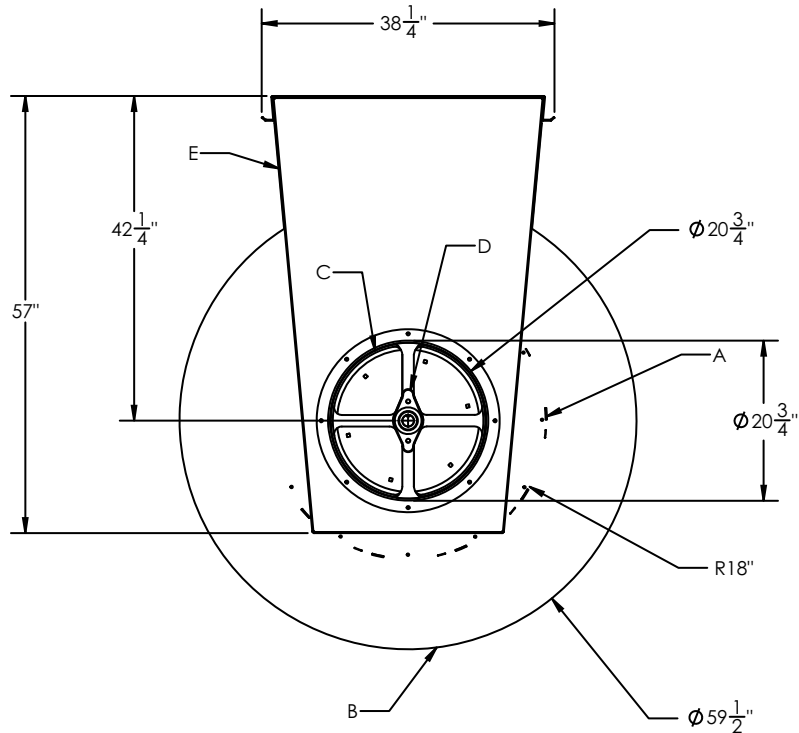


**TECHNICAL  
INFORMATION**

In the interest of continuing product improvement,  
we reserve the right to change models,  
specifications, and/or features without prejudice.

PROJECT: \_\_\_\_\_  
LOCATION: \_\_\_\_\_  
ARCHITECT: \_\_\_\_\_  
ENGINEER: \_\_\_\_\_  
CONTRACTOR: \_\_\_\_\_  
DATE: \_\_\_\_\_ SALES ENGINEER: \_\_\_\_\_

**XL Series Hose Reels - Oversized • 36" Drum SIDE VIEW for Models XL-36-5, XL-36-7**



ID/Description

- A. 16-Gauge Drum
- B. 12-Gauge Drum En
- C. 10-Gauge End Frame
- D. Inner, Outer Ring
- E. Inlet Drum Bearing  
Spark Free Operation Available  
with Optional Bearings

**NOTES:**

- \* Operator - Standard: 3/4 HP 115/230/1 or Optional: 3/4 HP 230/460/3 Chain Driven ODP Motor Assembly, 2-Button Up/Down Switch, and Internal Automatic Reset Thermal Overload
- \* Optional: Explosion Proof Motor Drive with Push Button Control
- \* Hose Reel shall be powder-coated Red (optional stainless steel construction)
- \* Contact Factory for Flex Hose Options