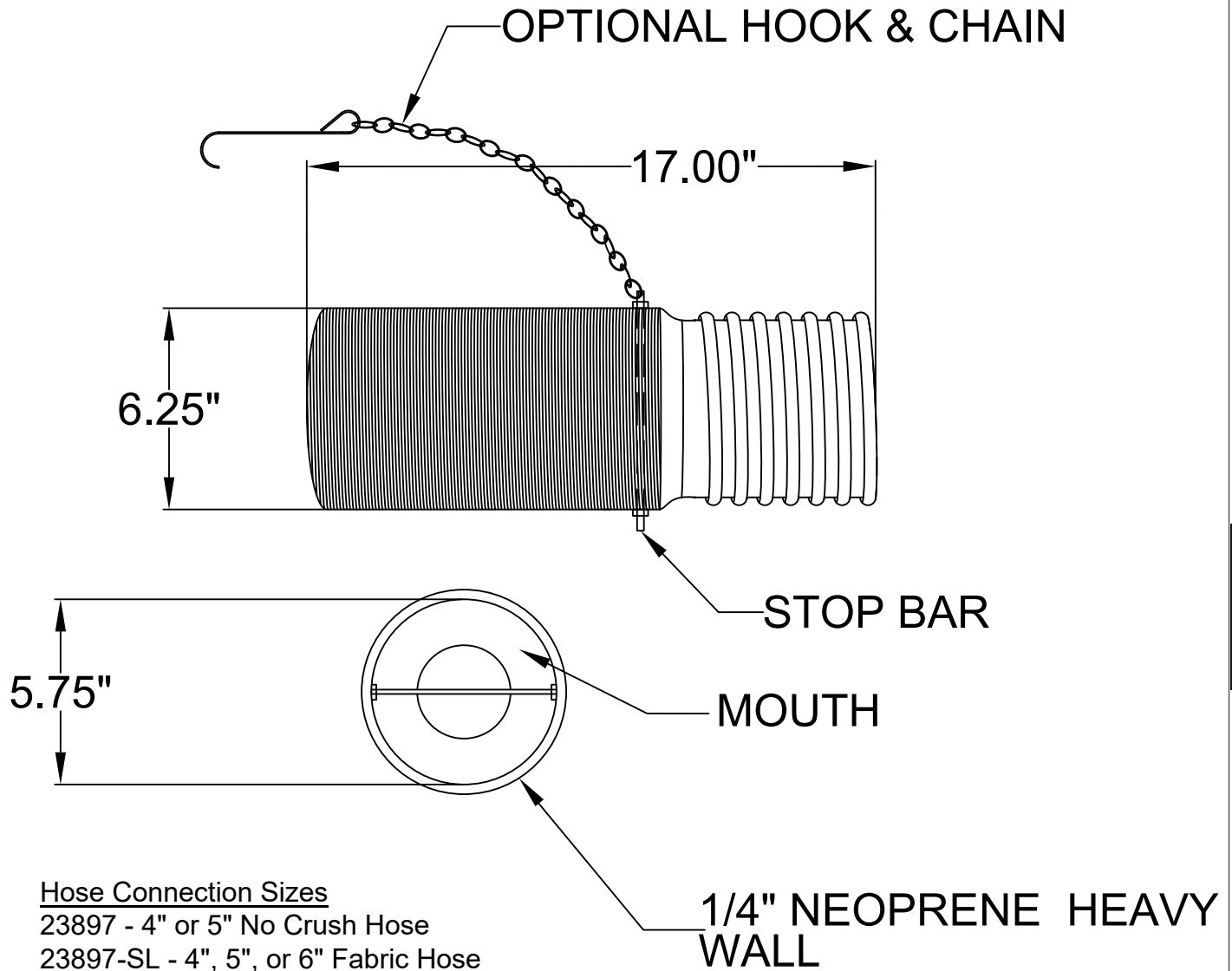


### TECHNICAL INFORMATION

In the interest of continuing product improvement,  
we reserve the right to change models,  
specifications, and/or features without prejudice.

PROJECT: \_\_\_\_\_  
LOCATION: \_\_\_\_\_  
ARCHITECT: \_\_\_\_\_  
ENGINEER: \_\_\_\_\_  
CONTRACTOR: \_\_\_\_\_  
DATE: \_\_\_\_\_ SALES ENGINEER: \_\_\_\_\_



The vertical stack adapter is constructed of 600-degree heavy wall neoprene rubber. The connection end has convolutions to screw into the mating hose. The adapter can also be supplied with a connection sleeve to allow the adapter to attach to smooth bore fabric hose or metal hose.

The 23897 adapter can be attached onto all Monoxivent hose. The adapter may be used on hose series: 1000, 2000, 3000, 4000, and 5000. The adapter will be supplied with the proper connection fitting, based on the hose being supplied.