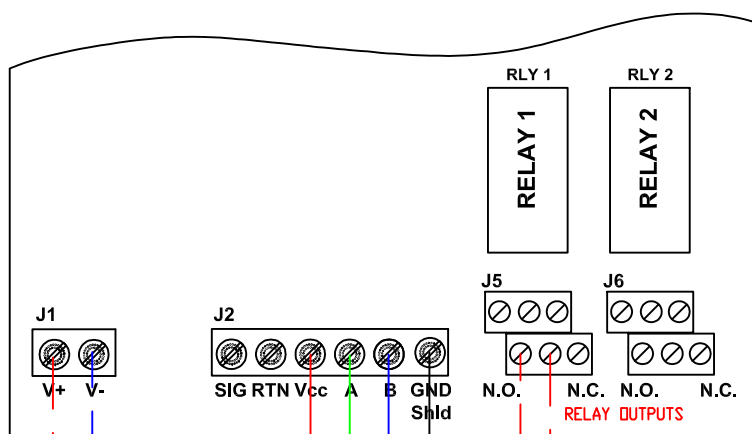


Equipment Above by Others



24V AC/DC

Disclaimer
 DRAWINGS ARE FOR MARKETING PURPOSES ONLY AND SHOULD NOT BE RELIED UPON BY CUSTOMER WHEN PURCHASING OR INSTALLING GAS DETECTION DEVICES. HONEYWELL IS NOT RESPONSIBLE FOR THE TYPE, SIZE, LOCATION AND SUITABILITY OF GAS DETECTION DEVICES SHOWN ON THE DRAWINGS. HONEYWELL MAKES NO CLAIM OR WARRANTY THAT THE DRAWING COMPLIES WITH LOCAL, STATE OR NATIONAL BUILDING OR SAFETY CODES. CODE COMPLIANCE IS THE SOLE RESPONSIBILITY OF THE CUSTOMER. HONEYWELL DISCLAIMS ALL WARRANTIES AND LIABILITY IN CONNECTION WITH THE DRAWING.

Project:	
Client:	
Drawing number:	
Rev.	Date:
Drawn by: SJI	
# Command: N/A	Page: (1/1)

