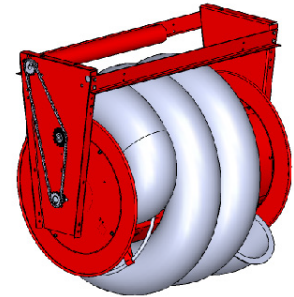
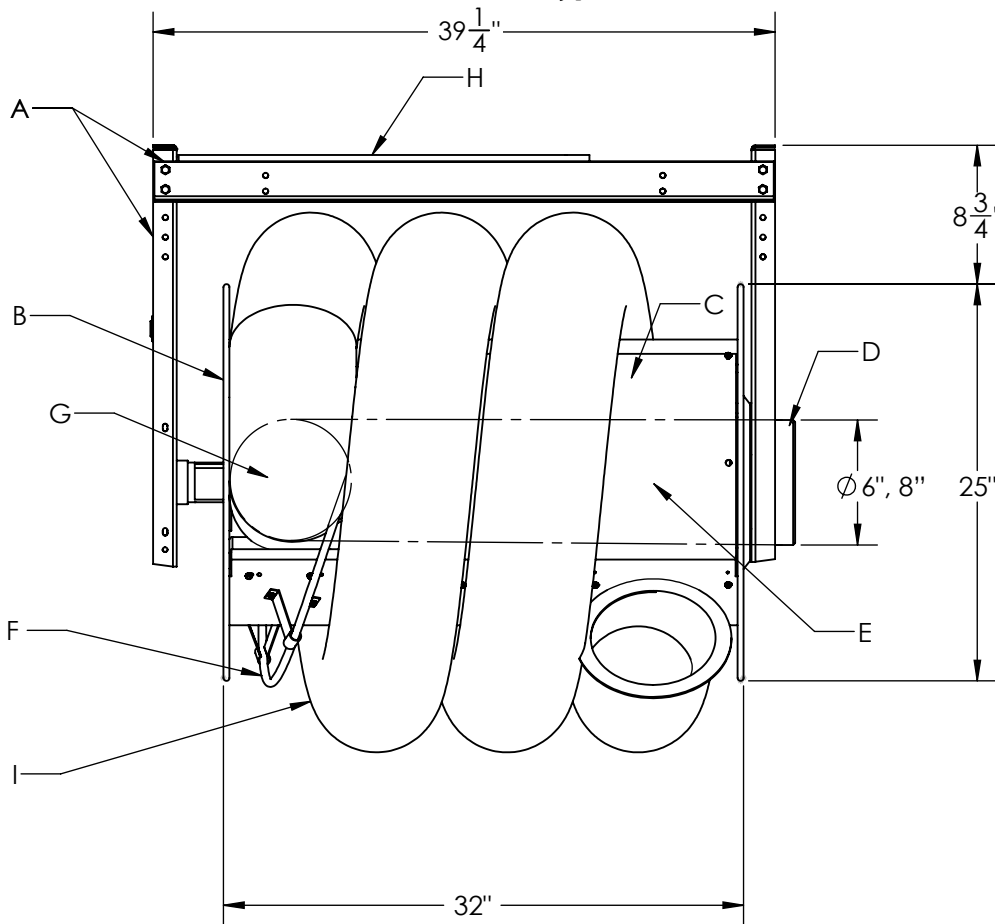


**TECHNICAL
INFORMATION**

In the interest of continuing product improvement,
we reserve the right to change models,
specifications, and/or features without prejudice.

PROJECT: _____
LOCATION: _____
ARCHITECT: _____
ENGINEER: _____
CONTRACTOR: _____
DATE: _____ SALES ENGINEER: _____

**EXPLODED VIEW • 9000-W-TMTR
Tube-Type Motor, 32" Drum Width**



*Reel shown
without hinged
chain cover

- | | |
|--|--|
| A - Heavy Gauge Steel Support Mounting Frame | H - Tube Motor |
| B - End Flange | I - Extraction Hose - 4", 5", 6", or 8" Diameters |
| C - Drum Assembly - 18" Diameter | |
| D - Duct Connection Fitting & Bearing Assembly | |
| E - Internal Hose Tube - 6" or 8" Diameter | |
| F - Hose Tracking Bar | (Standard Hose Lengths are 16', 20', & 24' ... Other |
| G - Hose to Drum Connector - 4", 5", 6", 8" Diameter | Lengths are Available - Please Contact Factory) |

<u>Model</u>	<u>Hose Dia.</u>	<u>Max. Hose Capacity on Drum</u>	<u>Drum Diameter</u>	<u>Drum Width</u>	<u>Approx. Wt.</u>
9000-W-TMTR	4"	50'	18"	32"	210 lbs.
9000-W-TMTR	5"	40'	18"	32"	210 lbs.
9000-W-TMTR	6"	36'	18"	32"	215 lbs.
9000-W-TMTR	8"	24'	18"	32"	220 lbs.

Provided With: _____ Diameter _____ Feet/Hose _____ Series Hose