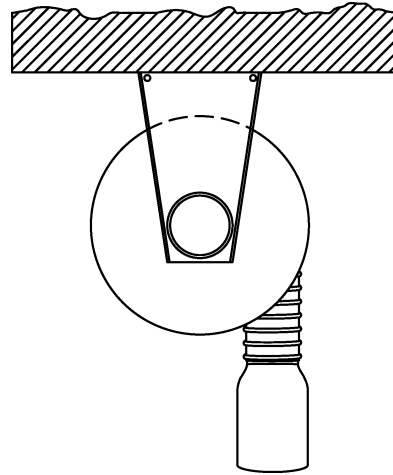


**TECHNICAL  
INFORMATION**

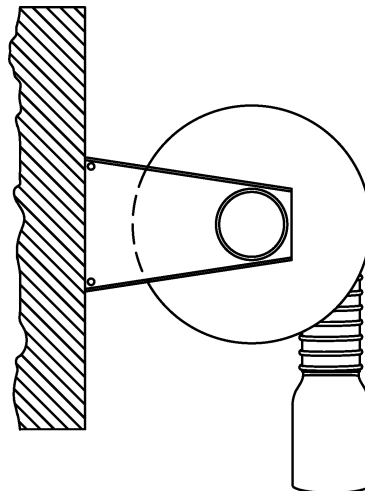
In the interest of continuing product improvement,  
we reserve the right to change models,  
specifications, and/or features without prejudice.

PROJECT: \_\_\_\_\_  
LOCATION: \_\_\_\_\_  
ARCHITECT: \_\_\_\_\_  
ENGINEER: \_\_\_\_\_  
CONTRACTOR: \_\_\_\_\_  
DATE: \_\_\_\_\_ SALES ENGINEER: \_\_\_\_\_

**A - Mount From Overhead Support Structure**



**B - Mount From Side Support Structure**



**C - Mount on Floor or On Top of  
Overhead Support Structure**

