

**TECHNICAL
INFORMATION**

In the interest of continuing product improvement,
we reserve the right to change models,
specifications, and/or features without prejudice.

PROJECT: _____
 LOCATION: _____
 ARCHITECT: _____
 ENGINEER: _____
 CONTRACTOR: _____
 DATE: _____ SALES ENGINEER: _____

MOTOR OPERATED
HOSE REELS

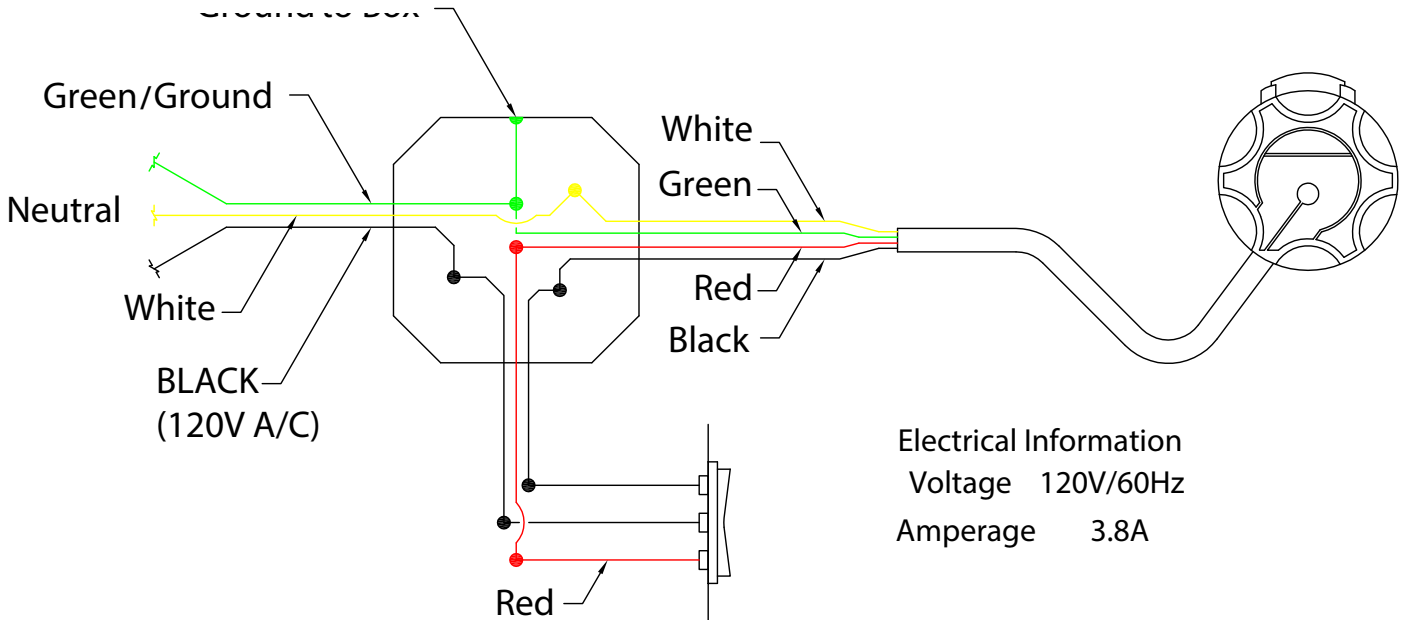
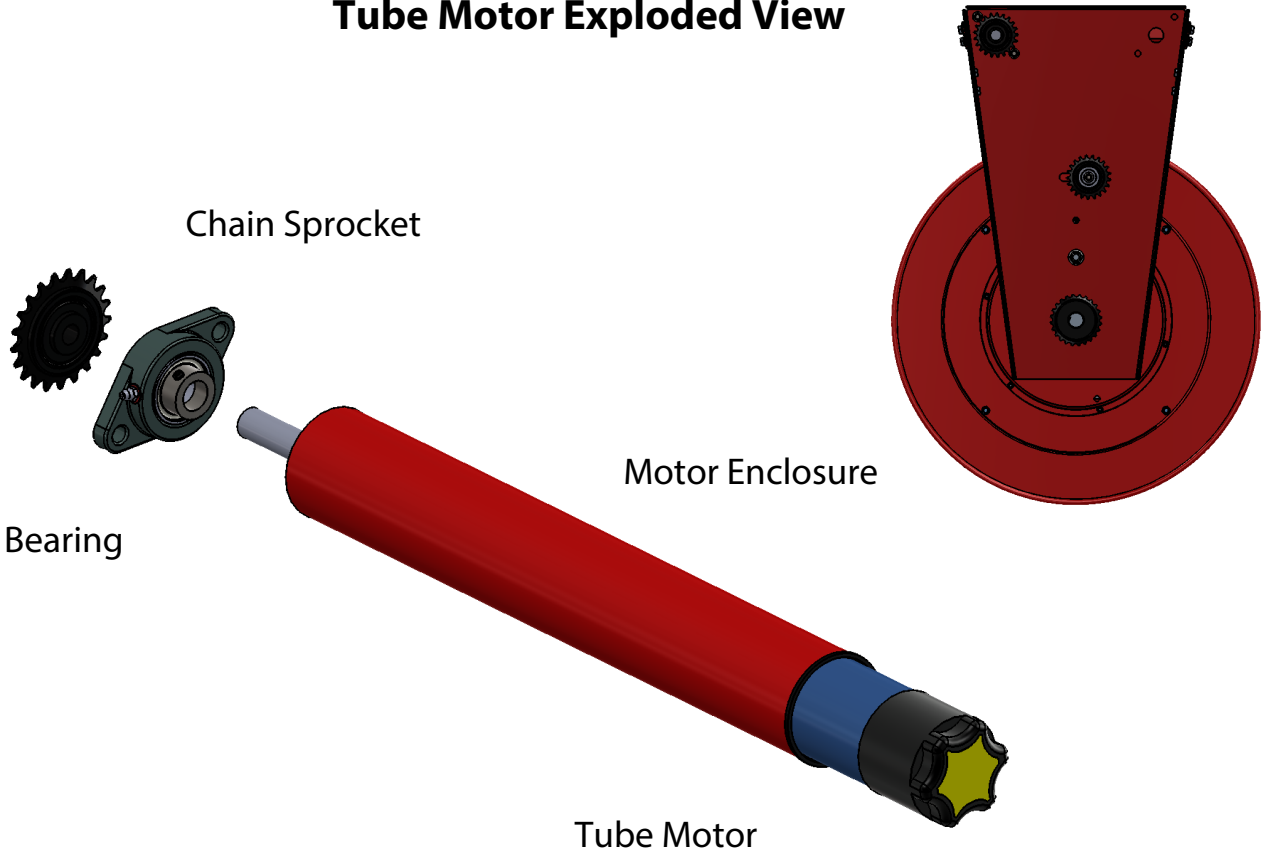
www.monoxivent.com

info@monoxivent.com

309-794-1000

Page: HRMO-16

Tube Motor Exploded View



Electrical Information
 Voltage 120V/60Hz
 Amperage 3.8A