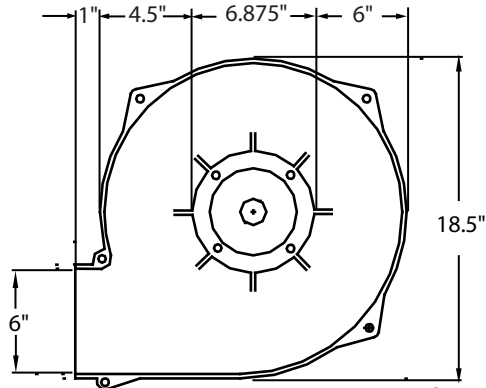


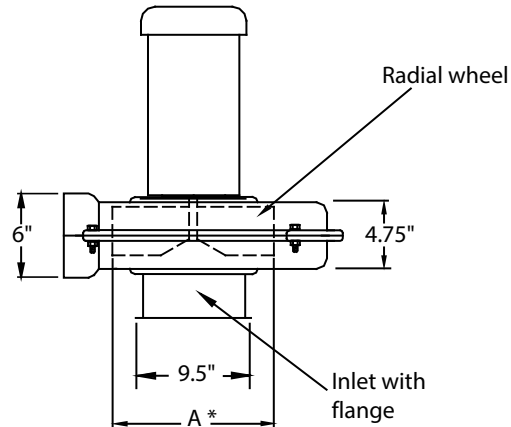
**TECHNICAL  
INFORMATION**

In the interest of continuing product improvement, we reserve the right to change models, specifications, and/or features without prejudice.

PROJECT: \_\_\_\_\_  
 LOCATION: \_\_\_\_\_  
 ARCHITECT: \_\_\_\_\_  
 ENGINEER: \_\_\_\_\_  
 CONTRACTOR: \_\_\_\_\_  
 DATE: \_\_\_\_\_ SALES ENGINEER: \_\_\_\_\_



Top View



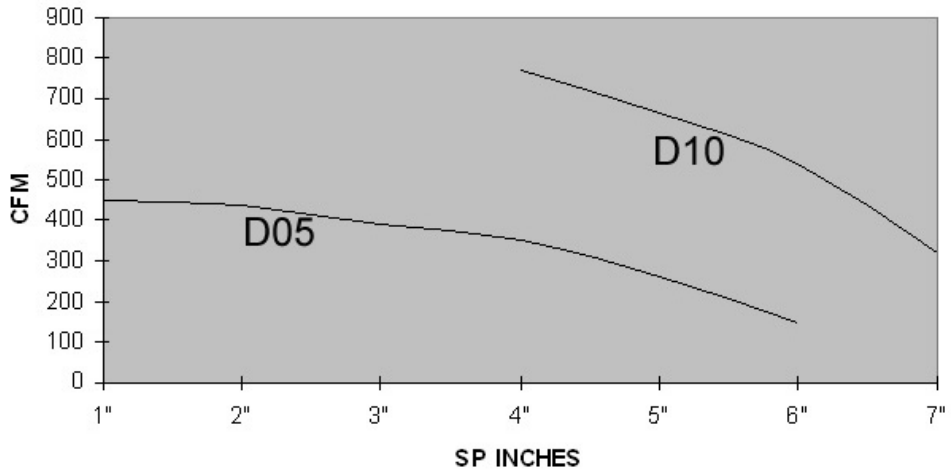
Side View

\* A = 10.625" with 1/2 HP Motor  
 \* A = 11.75" with 1 HP, 1 1/2 HP, 2 HP, 3 HP Motor

**Performance charts for  
 D05 (0.5 HP), D10 (1 HP),  
 D15 (1.5 HP), D20 (2 HP),  
 D30 (3 HP)**

**1 Phase:  
 115/208/230 volt**

**3 Phase:  
 208/230/460/575 volt**



Standard Motors are Baldor with TEFC Enclosure. Standard Motors are UL UR Recognized as a component and CSA Certified in Canada.

The D Series fans are not UL Listed or CSA Certified as an assembly.

Motor specifications subject to change without notice.

The construction is Silumin (Silicon Aluminum Alloy) for the housing and the wheel.

**DMHR Available, upon request, for D30, D20, D15**

