

**TECHNICAL
INFORMATION**

In the interest of continuing product improvement,
we reserve the right to change models,
specifications, and/or features without prejudice.

PROJECT: _____
 LOCATION: _____
 ARCHITECT: _____
 ENGINEER: _____
 CONTRACTOR: _____
 DATE: _____ SALES ENGINEER: _____

MOTOR OPERATED
HOSE REELS

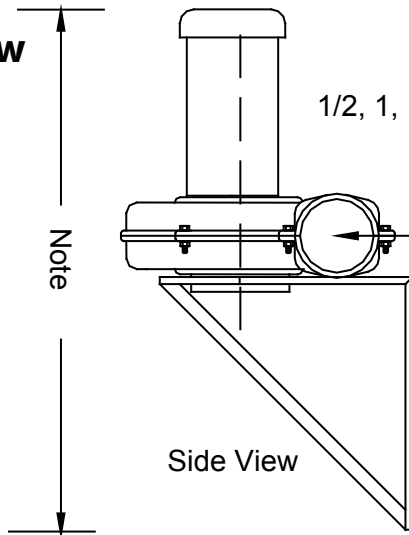
www.monoxivent.com

info@monoxivent.com

309-794-1000

Page: HRMO-20

Side View



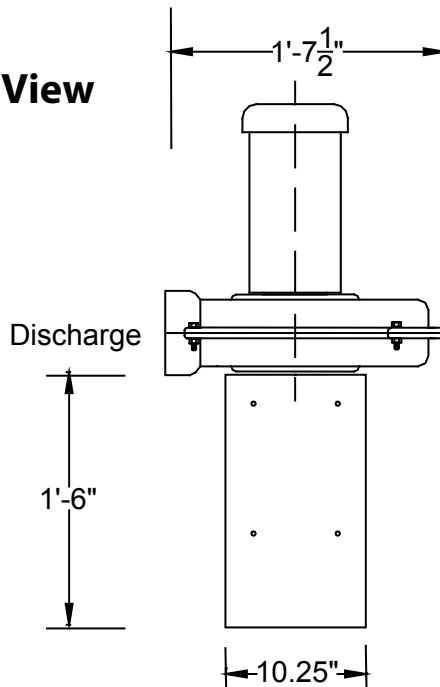
1/2, 1, 1 1/2, 2, & 3 HP, TEFC Motor, 3450 RPM

Discharge

Back side - mount to wall or column

Bracket is fabricated from 14ga mild steel and reinforced with 1"x1" square tube. The assembly is finished with a zinc plating.

Back View



The blower can be rotated 360 degrees in 90 degree increments. This allows for discharge for a variety of requirements.

The blower inlet can be supplied with a number of inlet fittings.

4 - laser cut mounting holes - 5/16"

Note: Overall height varies based on motor selection.

**1 Phase: 115/208/230 Volt
3 Phase: 208/230/460/575 Volt**

NOTE: Blower can be rotated (360 degrees) in 90 degree increments, allowing discharge to meet requirements.

NOTE: Blower inlet can be supplied with multiple inlet fittings.

* Please contact factory with your given application.