

**TECHNICAL
INFORMATION**

In the interest of continuing product improvement,
we reserve the right to change models,
specifications, and/or features without prejudice.

PROJECT: _____
LOCATION: _____
ARCHITECT: _____
ENGINEER: _____
CONTRACTOR: _____
DATE: _____ SALES ENGINEER: _____

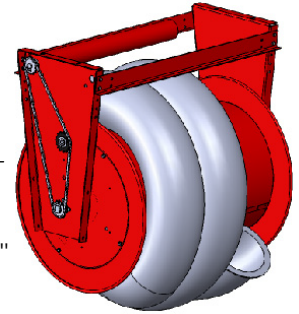
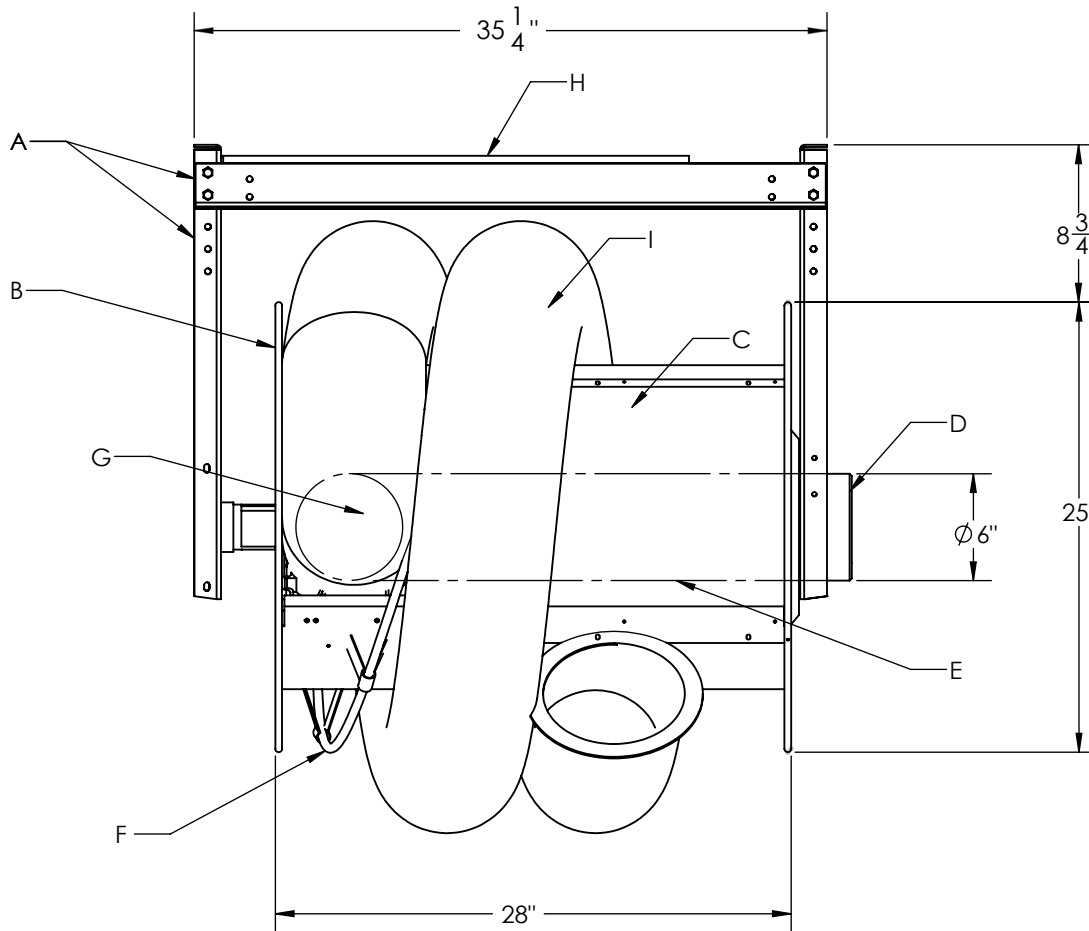
www.monoxivent.com

info@monoxivent.com

309-794-1000

Page: HRMO-5B

**EXPLODED VIEW • 9000-W-TMTR
Tube-Type Motor, 28" Drum Width**



*Reel shown
without hinged
chain cover

- A - Heavy Gauge Steel Support Mounting Frame
- B - End Flange
- C - Drum Assembly - 18" Diameter
- D - Duct Connection Fitting & Bearing Assembly
- E - Internal Hose Tube - 6" Diameter
- F - Hose Tracking Bar
- G - Hose to Drum Connector - 4", 5", 6" Diameter

- H - Tube Motor
- I - Extraction Hose - 4", 5" or 6" Diameters

(Standard Hose Lengths are 16', 20', & 24' ... Other
Lengths are Available - Please Contact Factory)

<u>Model</u>	<u>Hose Dia.</u>	<u>Max. Hose Capacity on Drum</u>	<u>Drum Diameter</u>	<u>Drum Width</u>	<u>Approx. Wt.</u>
9000-W-TMTR	4"	40'	18"	28"	210 lbs.
9000-W-TMTR	5"	34'	18"	28"	210 lbs.
9000-W-TMTR	6"	32'	18"	28"	210 lbs.

Provided With: _____ Diameter _____ Feet/Hose _____ Series Hose