

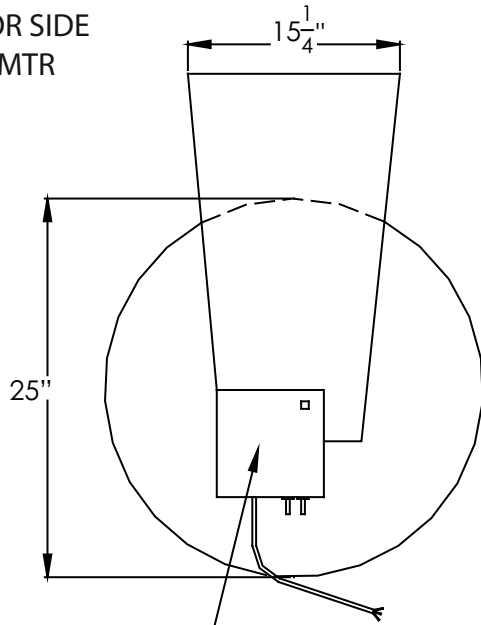
**TECHNICAL  
INFORMATION**

In the interest of continuing product improvement,  
we reserve the right to change models,  
specifications, and/or features without prejudice.

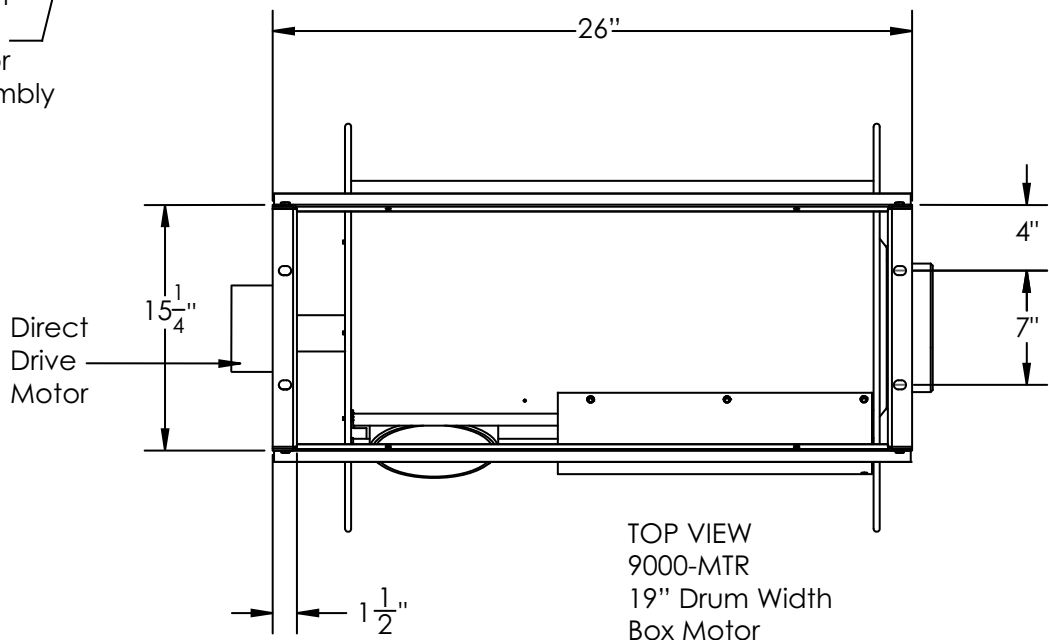
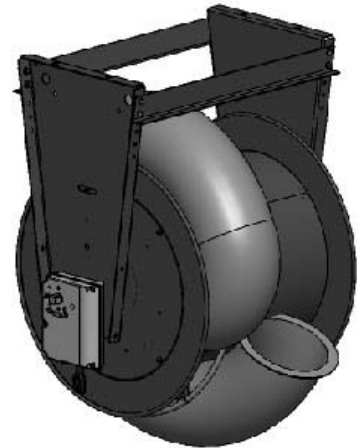
PROJECT: \_\_\_\_\_  
 LOCATION: \_\_\_\_\_  
 ARCHITECT: \_\_\_\_\_  
 ENGINEER: \_\_\_\_\_  
 CONTRACTOR: \_\_\_\_\_  
 DATE: \_\_\_\_\_ SALES ENGINEER: \_\_\_\_\_

**Box-Type Motor, 19" Drum Width**

END VIEW  
MOTOR SIDE  
9000-MTR



Direct  
Drive  
Motor  
Assembly



TOP VIEW  
9000-MTR  
19" Drum Width  
Box Motor

(Mounting holes are 9/16)