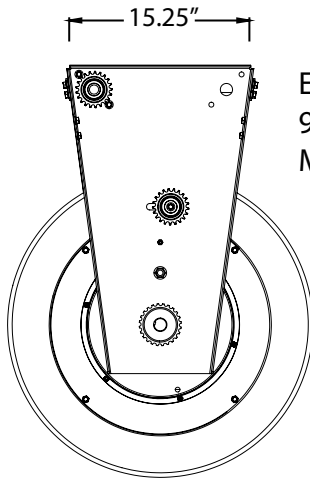


**TECHNICAL
INFORMATION**

In the interest of continuing product improvement,
we reserve the right to change models,
specifications, and/or features without prejudice.

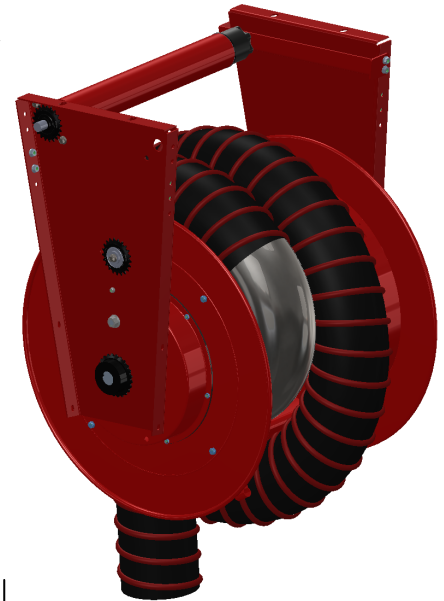
PROJECT: _____
 LOCATION: _____
 ARCHITECT: _____
 ENGINEER: _____
 CONTRACTOR: _____
 DATE: _____ SALES ENGINEER: _____

Tube-Type Motor, 28" & 32" Drum Width

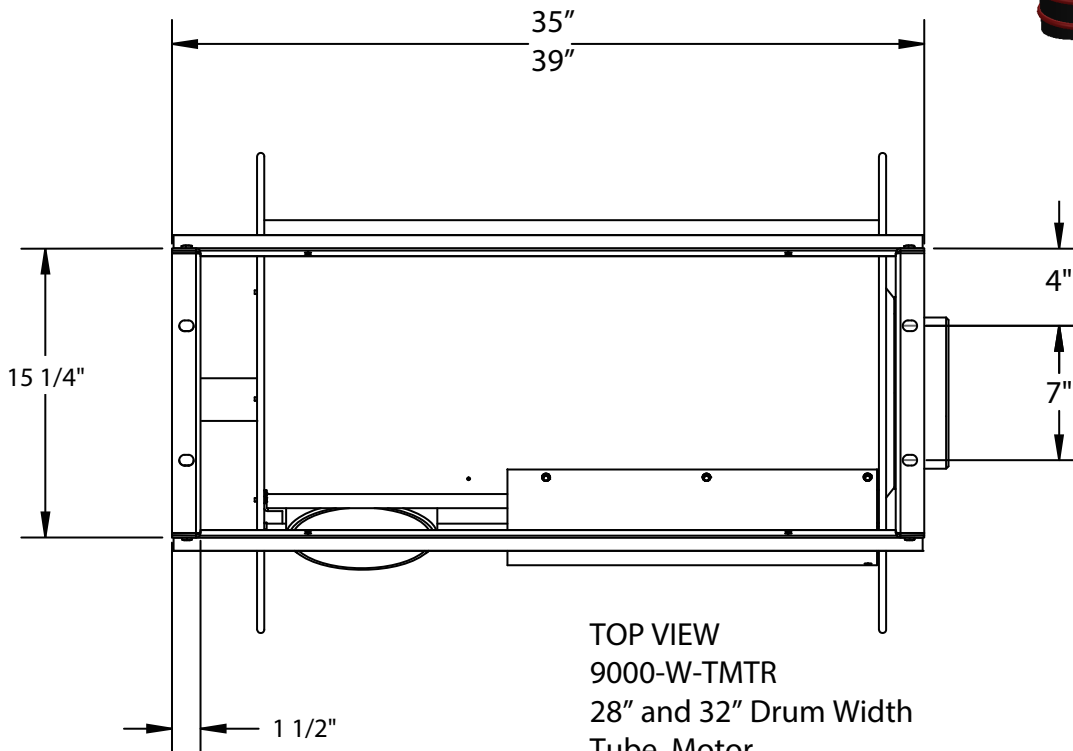


END VIEW
9000-W-TMTR
MOTOR SIDE

Tube Motor Assembly



**Reel shown
without hinged
chain cover*



TOP VIEW
9000-W-TMTR
28" and 32" Drum Width
Tube Motor

(Mounting holes are 9/16")