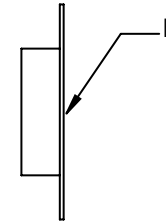
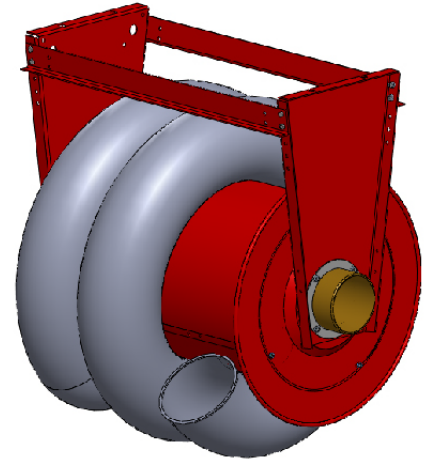
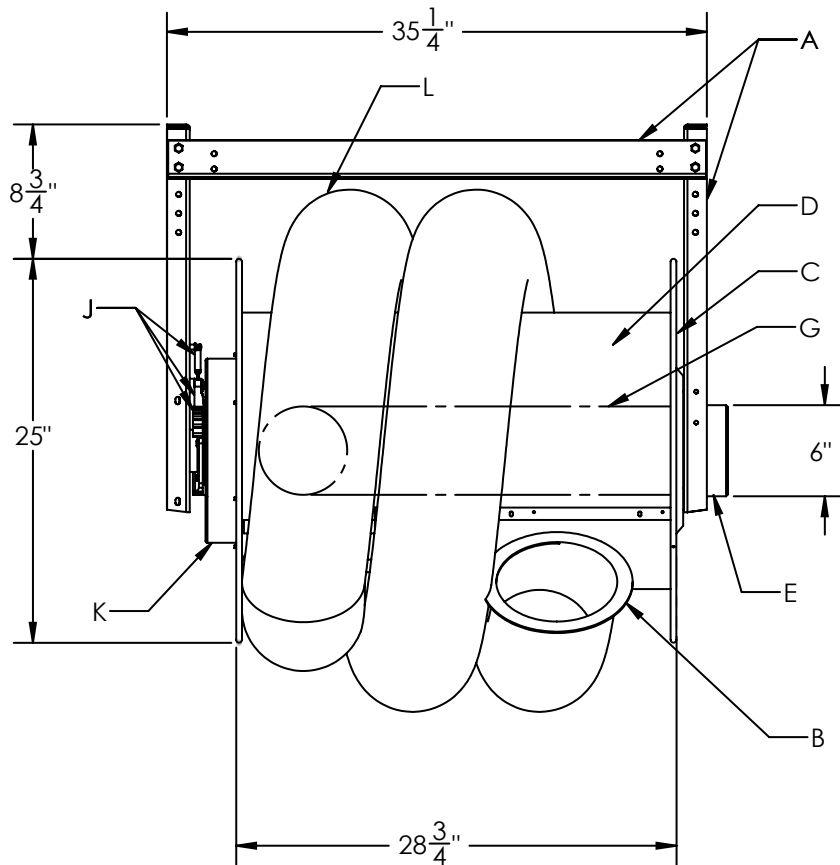


**TECHNICAL  
INFORMATION**

In the interest of continuing product improvement,  
we reserve the right to change models,  
specifications, and/or features without prejudice.

PROJECT: \_\_\_\_\_  
 LOCATION: \_\_\_\_\_  
 ARCHITECT: \_\_\_\_\_  
 ENGINEER: \_\_\_\_\_  
 CONTRACTOR: \_\_\_\_\_  
 DATE: \_\_\_\_\_ SALES ENGINEER: \_\_\_\_\_

**Exploded View**



NOTE: The above dimensions are the same for both the motor operated hose reel and the widened version of the spring retractable hose reel (Series 9000-W).

- A - Heavy Gauge Steel Support Mounting Frame
- B - Adjustable Hose Stop
- C - End Flanges
- D - Drum Assembly - 18" Diameter
- E - Duct Connection Fitting & Bearing Assembly
- F - Optional Mounting Flange for Direct Mount Fan
- G - Internal Hose Tube - 6" Diameter
- J - Lock and Latch Mechanism
- K - Spring Cassette Unit
- L - Extraction Hose - 4", 5", 6" Diameter

<u>Model</u>	<u>Hose Dia.</u>	<u>Max. Hose Capacity on Drum</u>	<u>Drum Diameter</u>	<u>Drum Width</u>	<u>Approx. Wt.</u>
9000-W	4"	40'	18"	28"	200 lbs.
9000-W	5"	34'	18"	28"	200 lbs.
9000-W	6"	32'	18"	28"	200 lbs.

Provided With: \_\_\_\_\_ Diameter \_\_\_\_\_ Feet/Hose \_\_\_\_\_ Series Hose