



Spring Retractable Hose Reel
Series 9000/Series 9000-W
4", 5", 6" Diameter Hose

TECHNICAL INFORMATION

In the interest of continuing product improvement,
we reserve the right to change models,
specifications, and/or features without prejudice.

PROJECT: _____
LOCATION: _____
ARCHITECT: _____
ENGINEER: _____
CONTRACTOR: _____
DATE: _____ SALES ENGINEER: _____

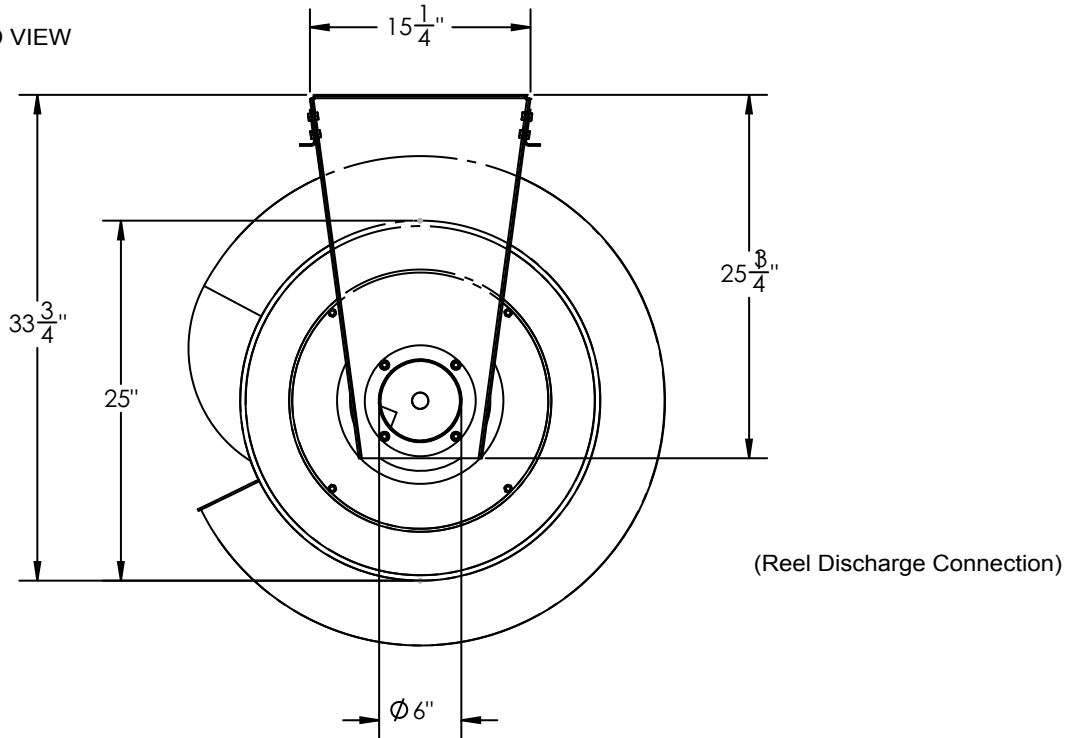
www.monoxivent.com

info@monoxivent.com

309-794-1000

Page: HRSO-6A

SIDE/END VIEW



TOP VIEW

