



Portable Fume Exhauster,  
With Foot Mount Base  
(PE-05)

## TECHNICAL INFORMATION

In the interest of continuing product improvement, we reserve the right to change models, specifications, and/or features without prejudice.

PROJECT: \_\_\_\_\_  
 LOCATION: \_\_\_\_\_  
 ARCHITECT: \_\_\_\_\_  
 ENGINEER: \_\_\_\_\_  
 CONTRACTOR: \_\_\_\_\_  
 DATE: \_\_\_\_\_ SALES ENGINEER: \_\_\_\_\_

www.monoxivent.com

info@monoxivent.com

309-794-1000

Page: PVSC-13

**Blower is constructed of cast Silumin (Silicon Aluminum Alloy) (both housing and wheel)  
 Wheel is radial blade type**

**Standard Motors are Baldor with TEFC Enclosure. Standard Motors are UL UR  
 Recognized as a component and CSA Certified in Canada.**

**Motor is 3450 RPM**

**Provided with clockwise rotation only**

**Foot mount base**

**1-Phase: 115 Volt**

**ON/OFF Switch**

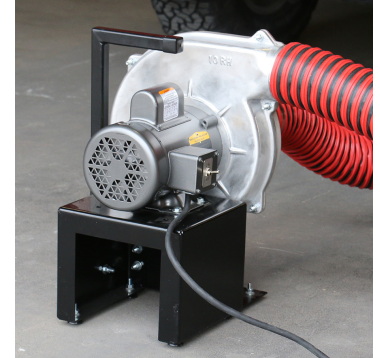
**25' Power Cord**

**Carrying Handle**

**10' x 4" Diameter, Series 5000 Hose on Suction Side**

**10' x 4" Diameter, Series 5000 Hose on Discharge Side**

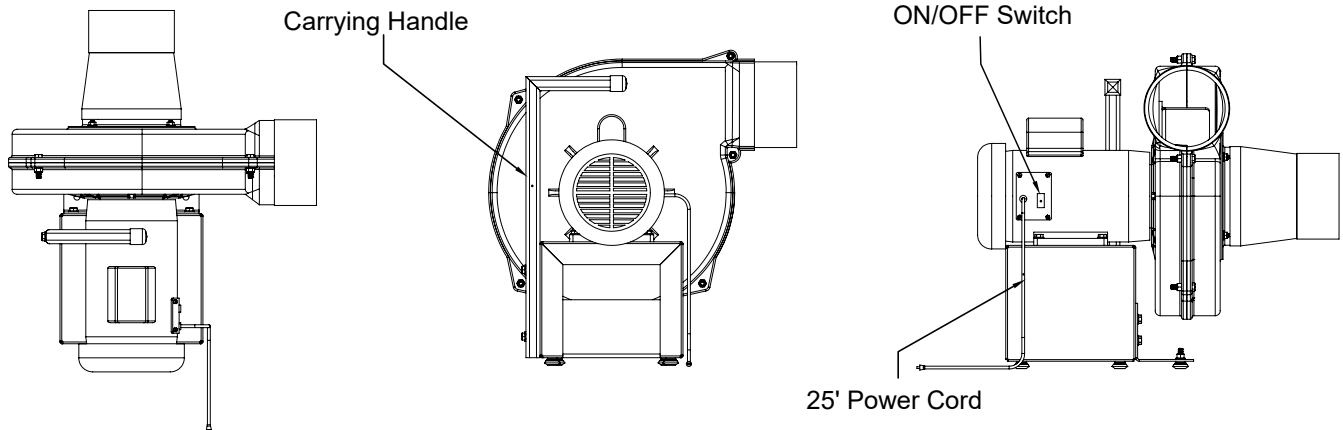
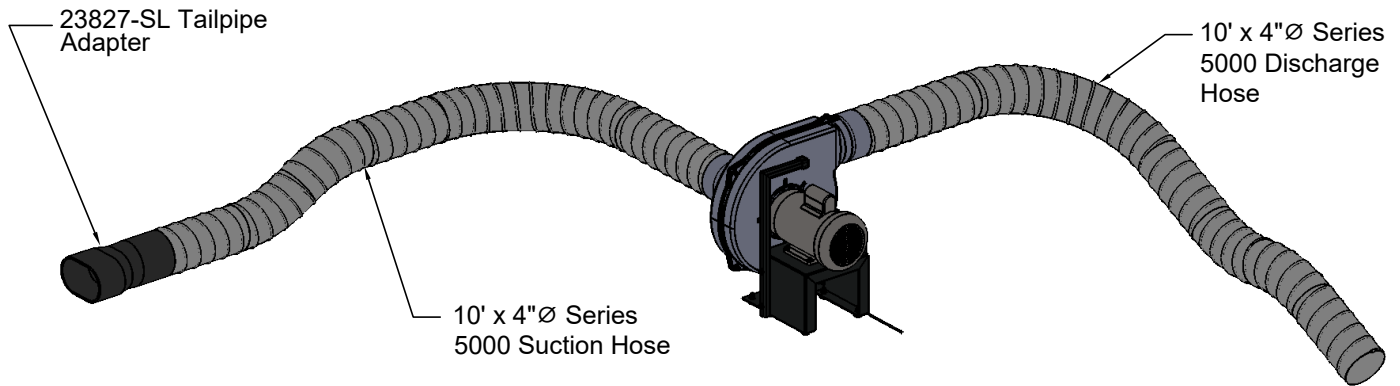
**23827-SL Tailpipe Adapter**



Single Phase Model	HP	RPM	1"	CFM @ Static Pressure						8"	9"	DBA at 5'	Motor Frame
				2"	3"	4"	5"	6"	7"				
D05-1	0.5	3450	450	435	390	350	260	150	---	---	---	85	56

**D Series Dimensions**

Model	Wheel Dia.	Inlet Dia.	Outlet Dia.	A	B	C	D	E	F	G	H	I	J	K
D05	10.625	5	4	9.25	6.5	7.5	7.5	6.25	5.13	12.25	3.25	5	4	11.5



\*The D Series fans are not UL Listed or CSA Certified as an assembly. Motor specifications subject to change without notice.

EXHAUST FANS