

MONOXIVENT[®]

Source Capture Systems

Operation and Maintenance Manual

Swivel Boom w/ 11000 Series Drop SB-7-10-13



MONOXIVENT - SOURCE CAPTURE SYSTEMS

1306 Mill St., Rock Island, IL 61201
877-608-4383 - info@monoxivent.com
monoxivent.com

March - 2018

Read and Study All Information Before Installation of SB Assembly

1. GENERAL INFORMATION: SB-7/SB-10/SB-13

A. Check all packages for shipping damage. If damage is found, then you as receiver must note and contact the truck/UPS/etc and file a claim. **THIS IS YOUR RESPONSIBILITY TO NOTE AND REPORT ANY DAMAGED GOODS.**

2. Assembly of the boom and accessories will be required. The following will assist in preparation for the assembly.

3. Layout the components for the SB and verify all the components have been received.

A. Crane beam with mounting bracket.

B. (1) Flex hose. (1) @ 4' at wall.

C. (1) duct cradles for hard pipe.

D. Clamps

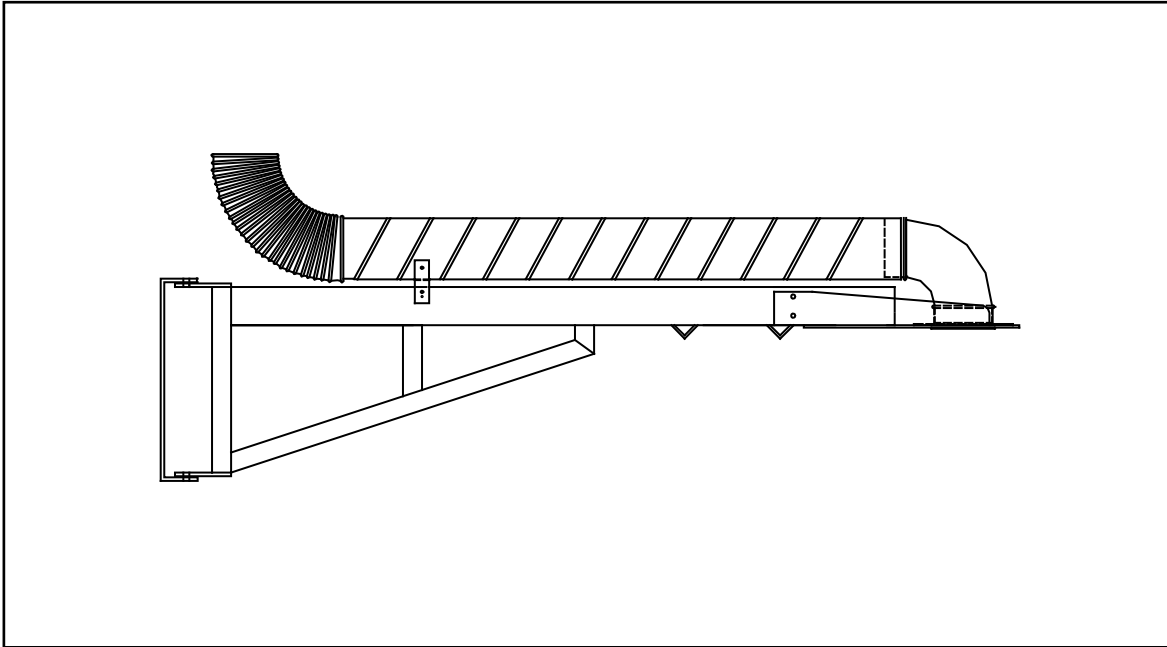
E. 90-degree elbow mounted to hard duct for front beam.

F. Individual blower with bracket if ordered. (Optional)

4. The accessories for the end of the SB can vary from hoods, arms, hose with balancer or just hose. Please see the added accessory sheets that pertain to the accessory that was ordered for your SB. This will provide assembly tips and further technical information.

Installation Tips

- 1.** Support structure for the SB must be solid and secure. The structure to which the SB will be mounted should be carefully reviewed for its strength. If there is any question or doubt about the structure, a structural engineer or other experienced person should be consulted. **RESPONSIBILITY AND LIABILITY OF SUCH SUPPORT STRUCTURE IS SOLELY UPON THE PERSON() SELECTING SUCH SUPPORT STRUCTURE.**
- 2.** After selection of the support structure, a decision on how the main support bracket of the SB should be installed. The mounting bracket must be installed perfectly vertical to prevent drifting of the SB. Depending upon installation equipment, it maybe determined that the bracket should be removed from the SB and installed to ensure the vertical accuracy of the bracket. The bracket can then be attached back onto the SB. All hardware must be reinstalled exactly as original (see drawing of bracket, page 6). Tighten hardware sufficiently enough so SB swings firmly yet freely.
- 3.** Refer to drawing on page 3 for further installation tips and guidelines.



Installation of Duct & Hose

1. Install hard spiral with elbow. Put elbow into the elbow flange and set hard duct onto cradle. Using the pre-drilled holes in the cradle and elbow flange as guides. Secure with the supplied self-tapping screws.
2. Install the 4' flex hose in the center pivot point and secure with clamps. Install the 4' flex hose to the hard duct at wall mount bracket.
3. Hose at the wall mount bracket will either clamp to a vertical duct branch or to an optional blower and bracket if so supplied.

Swivel Boom Crane Arm
Series - SB Assembly of Wall Bracket Section: SB -7, 10, 13

